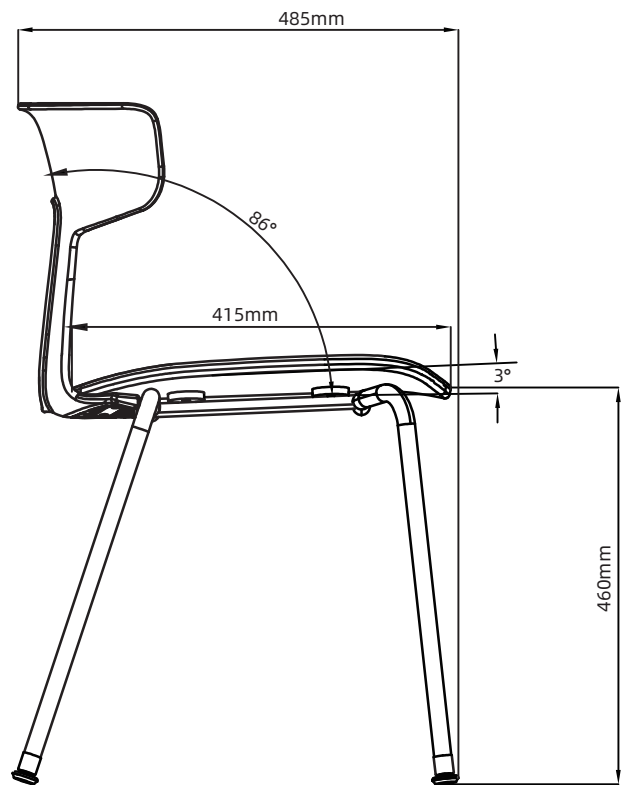
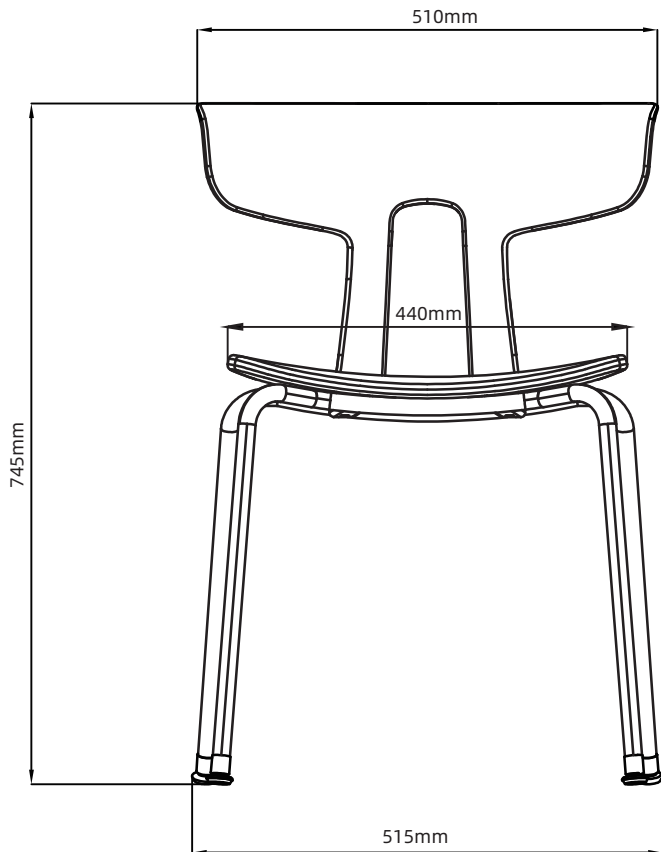


## Chair Specification | Motto XCMT10GS

Overall Depth	Overall Width	Overall Height	Seat Depth	Functional Seat Depth	Seat Width	Seat Height from Floor	Ring Height from Floor	Back Width (Max and Min)
485mm	515mm	745mm	/	415mm	440mm	460mm	/	/

Back Height from Seat	Back Lumbar Height	Lumbar Adjustment Range	Width Between Arms	Arm to Floor	Arm Height from Seat	Seat Pan Angle	Back Recline Angle
/	/	/	/	/	/	3°	86°



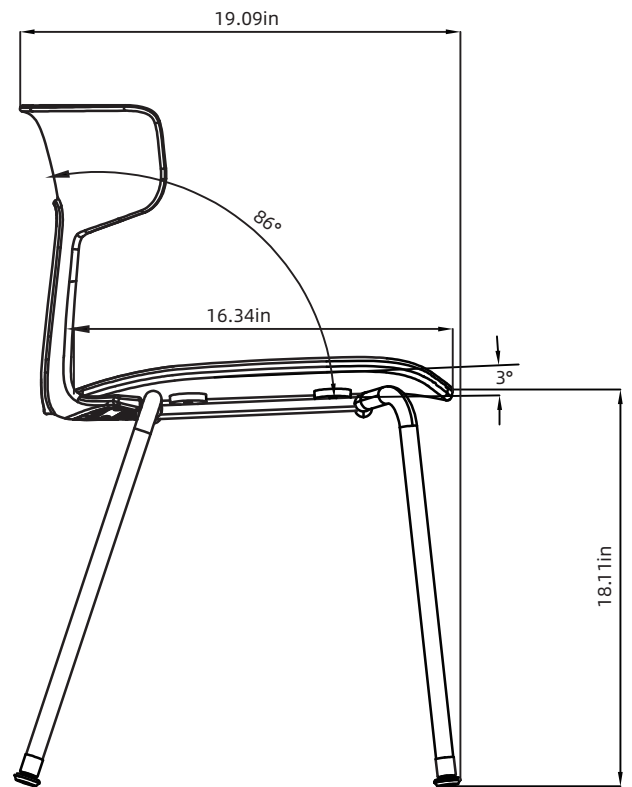
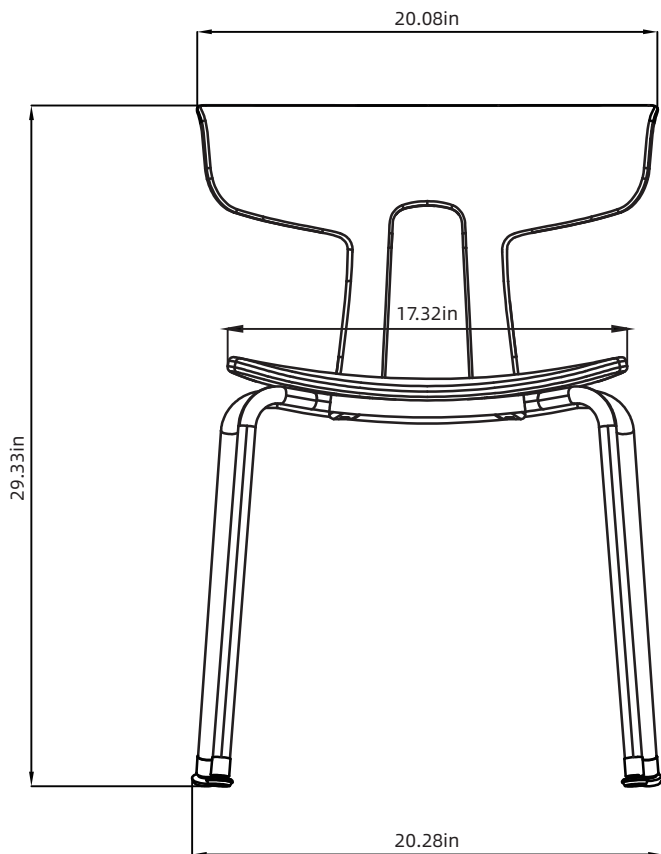
**Remark:** Seat height from floor, back height from seat and arm height from seat are measured when there is no load on the chair.



## Chair Specification | Motto XCMT10GS

Overall Depth	Overall Width	Overall Height	Seat Depth	Functional Seat Depth	Seat Width	Seat Height from Floor	Ring Height from Floor	Back Width (Max and Min)
19.09in	20.28in	29.33in	/	16.34in	17.32in	18.11in	/	/

Back Height from Seat	Back Lumbar Height	Lumbar Adjustment Range	Width Between Arms	Arm to Floor	Arm Height from Seat	Seat Pan Angle	Back Recline Angle
/	/	/	/	/	/	3°	86°



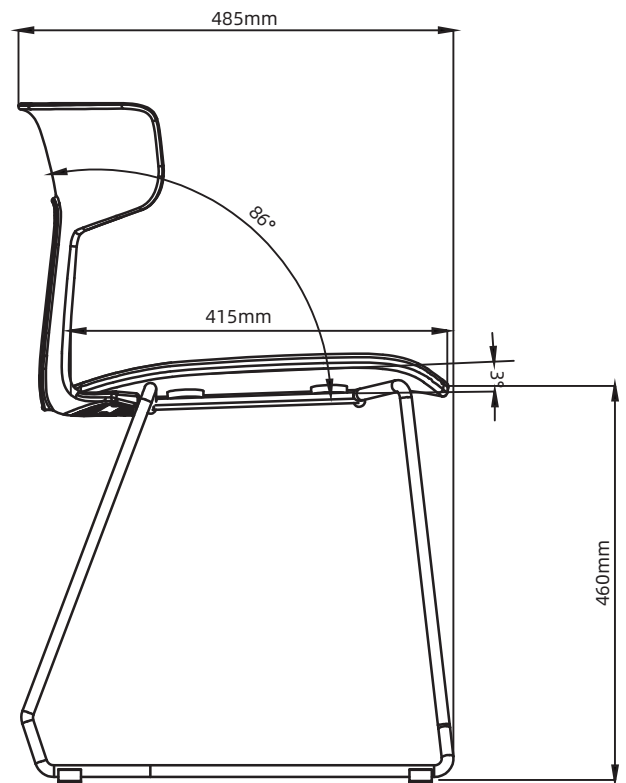
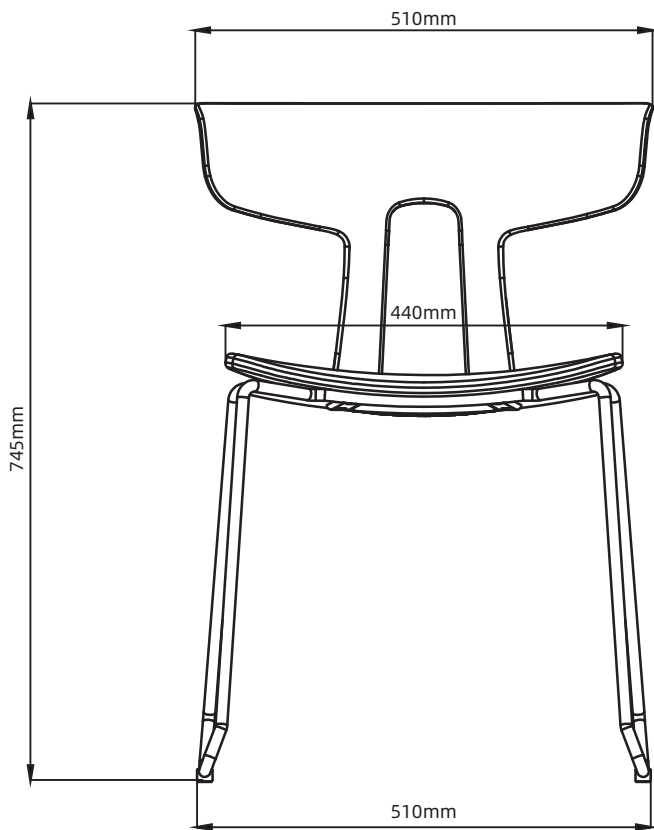
**Remark:** Seat height from floor, back height from seat and arm height from seat are measured when there is no load on the chair.



## Chair Specification | Motto XCMT11GS

Overall Depth	Overall Width	Overall Height	Seat Depth	Functional Seat Depth	Seat Width	Seat Height from Floor	Ring Height from Floor	Back Width (Max and Min)
485mm	510mm	745mm	/	415mm	440mm	460mm	/	/

Back Height from Seat	Back Lumbar Height	Lumbar Adjustment Range	Width Between Arms	Arm to Floor	Arm Height from Seat	Seat Pan Angle	Back Recline Angle
/	/	/	/	/	/	3°	86°



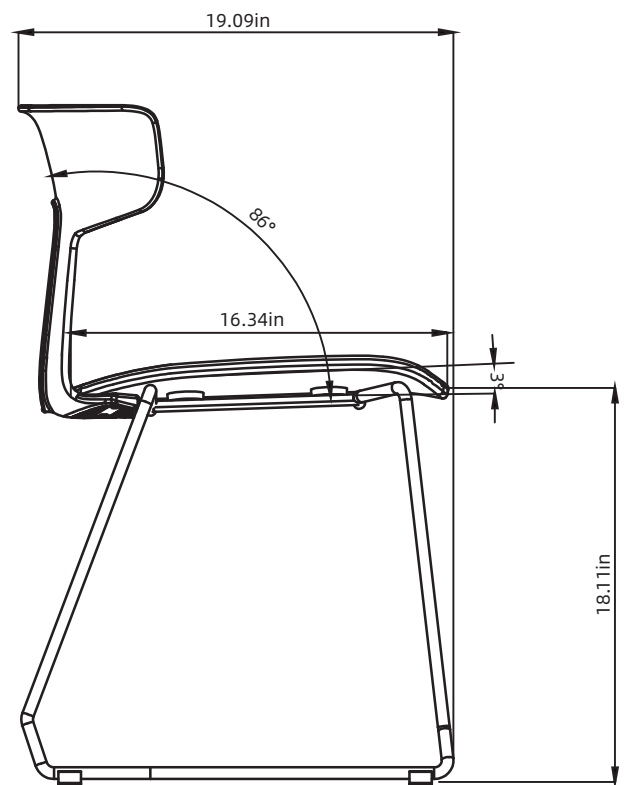
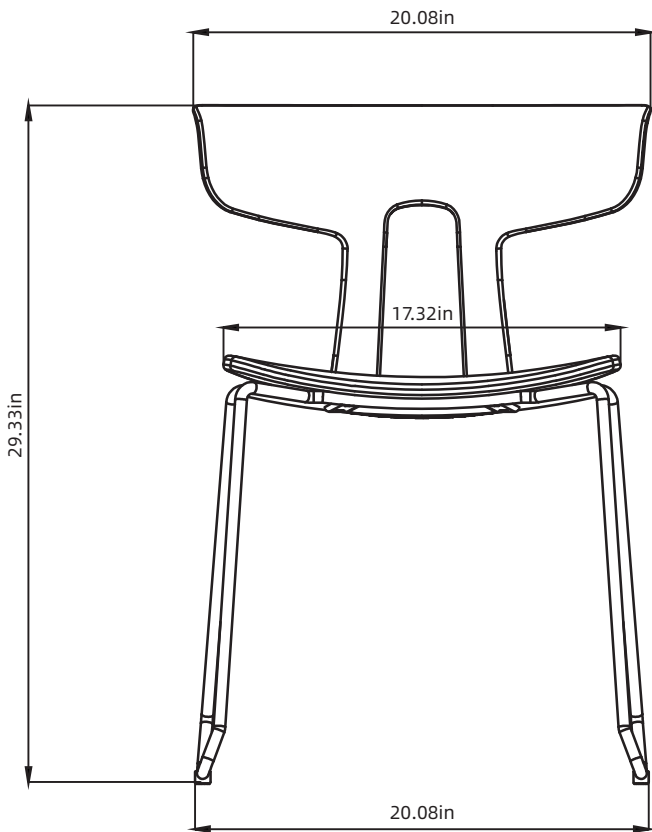
**Remark:** Seat height from floor, back height from seat and arm height from seat are measured when there is no load on the chair.



## Chair Specification | Motto XCMT11GS

Overall Depth	Overall Width	Overall Height	Seat Depth	Functional Seat Depth	Seat Width	Seat Height from Floor	Ring Height from Floor	Back Width (Max and Min)
19.09in	20.08in	29.33in	/	16.34in	17.32in	18.11in	/	/

Back Height from Seat	Back Lumbar Height	Lumbar Adjustment Range	Width Between Arms	Arm to Floor	Arm Height from Seat	Seat Pan Angle	Back Recline Angle
/	/	/	/	/	/	3°	86°



**Remark:** Seat height from floor, back height from seat and arm height from seat are measured when there is no load on the chair.

