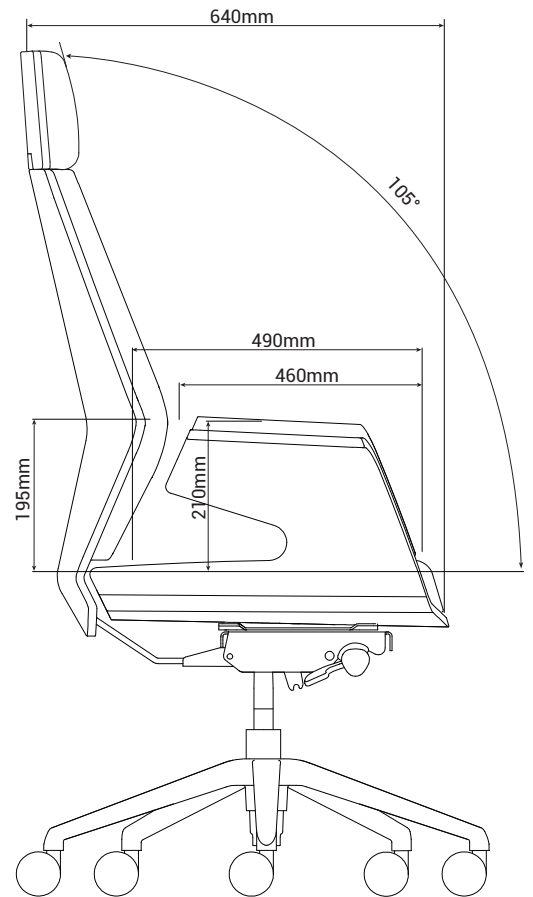
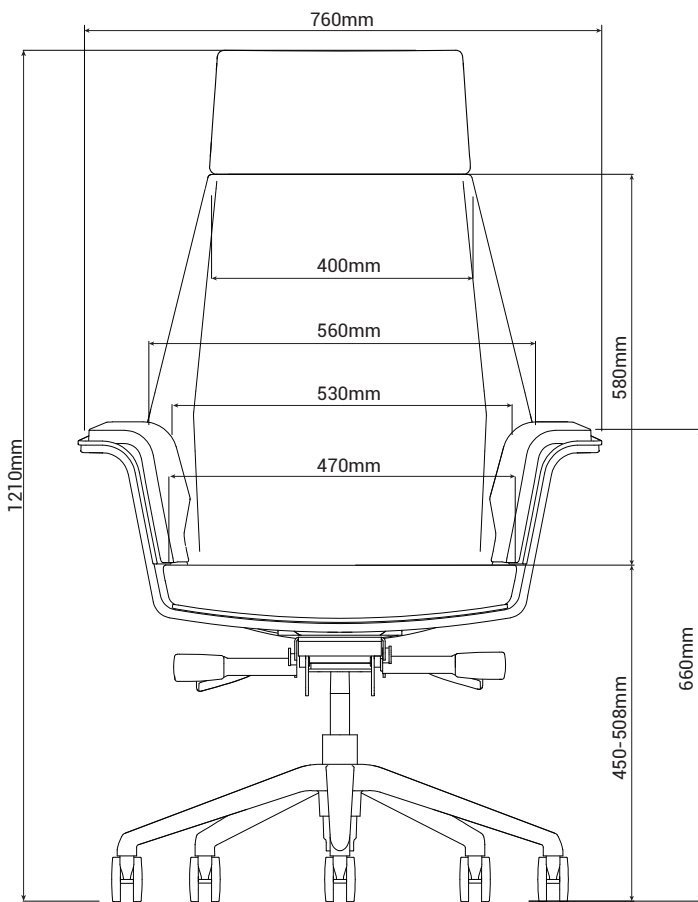


Chair Specification | Coupe CCP81SR、CCP81SC、CCP81SQ

Overall Depth	Overall Width	Overall Height	Seat Depth	Functional Seat Depth	Seat Width	Seat Height from Floor	Ring Height from Floor	Back Width (Max and Min)
640mm	760mm	1210mm	490mm	460mm	470mm	450-508mm	/	560mm/400mm

Back Height from Seat	Back Lumbar Height	Lumbar Adjustment Range	Width Between Arms	Arm to Floor	Arm Height from Seat	Seat Pan Angle	Back Recline Angle
580mm	195mm	/	530mm	660mm	210mm	0°	105°



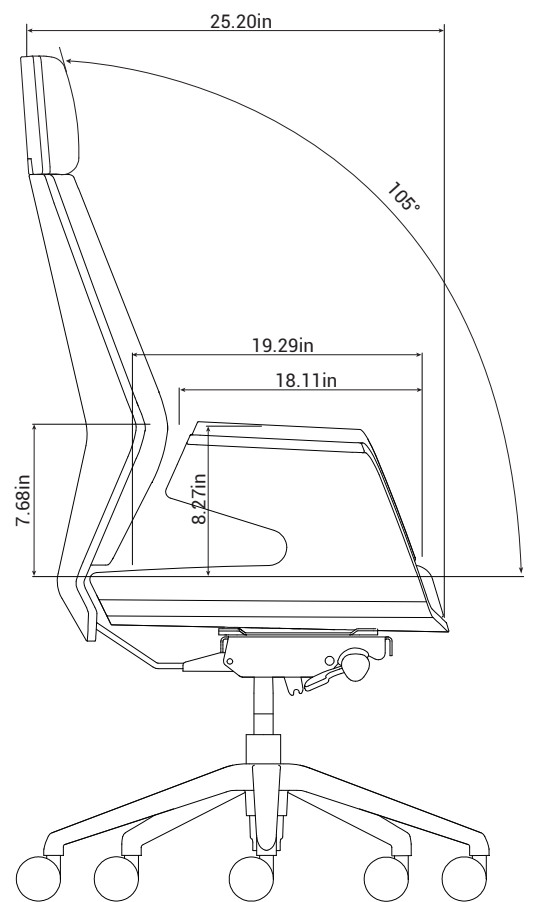
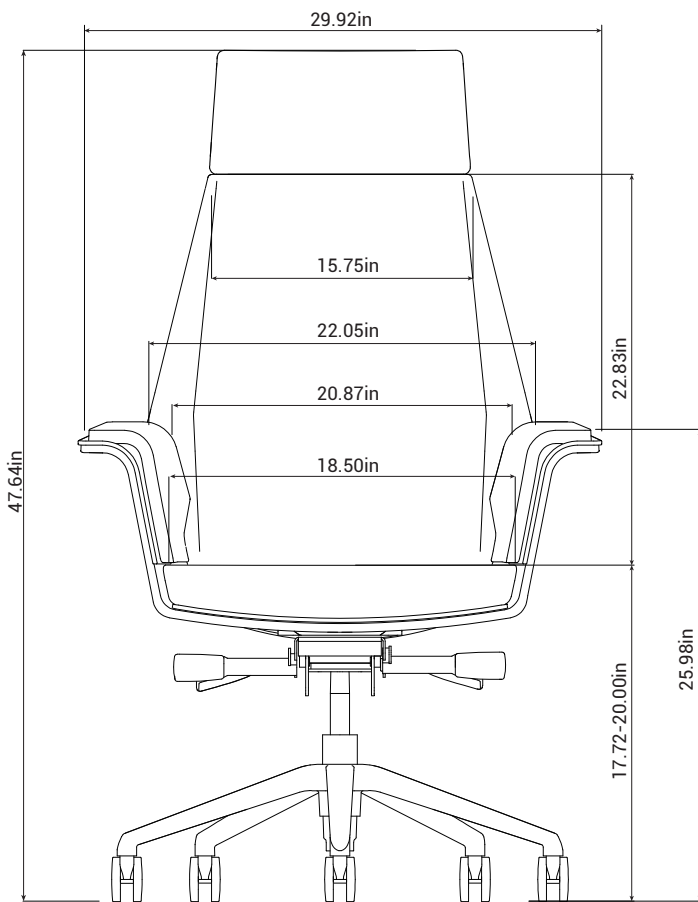
Remark: Seat height from floor, back height from seat and arm height from seat are measured when there is no load on the chair.



Chair Specification | Coupe CCP81SR、CCP81SC、CCP81SQ

Overall Depth	Overall Width	Overall Height	Seat Depth	Functional Seat Depth	Seat Width	Seat Height from Floor	Ring Height from Floor	Back Width (Max and Min)
25.20in	29.92in	47.64in	19.29in	18.11in	18.50in	17.72-20.00in	/	22.05in/15.75in

Back Height from Seat	Back Lumbar Height	Lumbar Adjustment Range	Width Between Arms	Arm to Floor	Arm Height from Seat	Seat Pan Angle	Back Recline Angle
22.83in	7.68in	/	20.87in	25.98in	8.27in	0°	105°



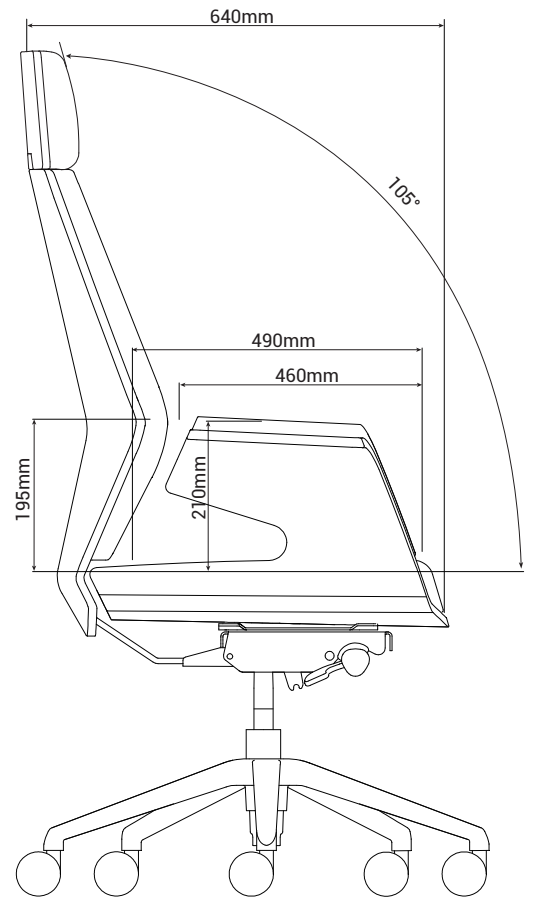
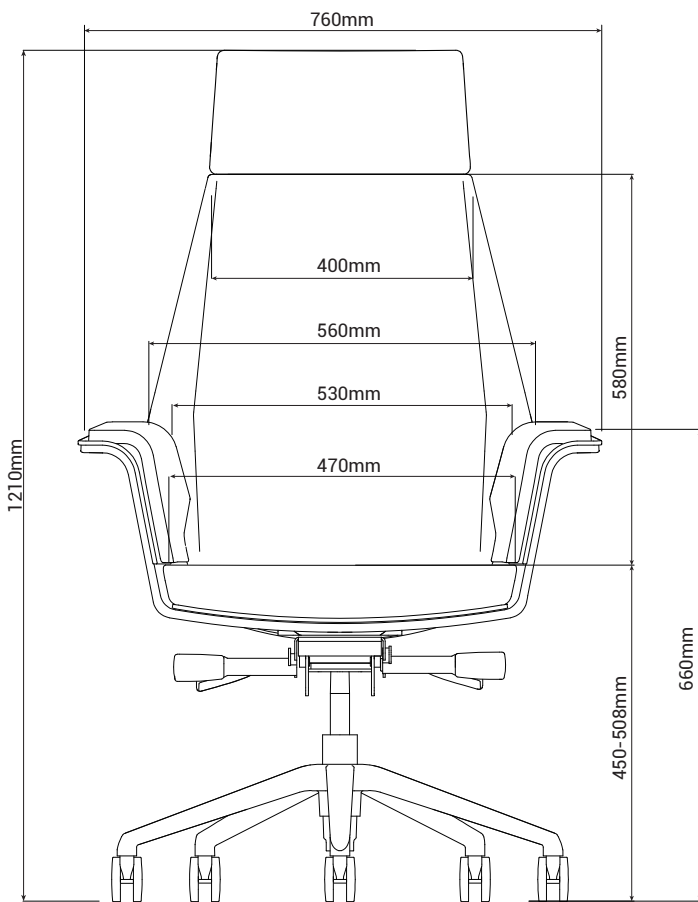
Remark: Seat height from floor, back height from seat and arm height from seat are measured when there is no load on the chair.



Chair Specification | Coupe CCP81SR、CCP81SC、CCP81SQ

Overall Depth	Overall Width	Overall Height	Seat Depth	Functional Seat Depth	Seat Width	Seat Height from Floor	Ring Height from Floor	Back Width (Max and Min)
640mm	760mm	1210mm	490mm	460mm	470mm	450-508mm	/	560mm/400mm

Back Height from Seat	Back Lumbar Height	Lumbar Adjustment Range	Width Between Arms	Arm to Floor	Arm Height from Seat	Seat Pan Angle	Back Recline Angle
580mm	195mm	/	530mm	660mm	210mm	0°	105°



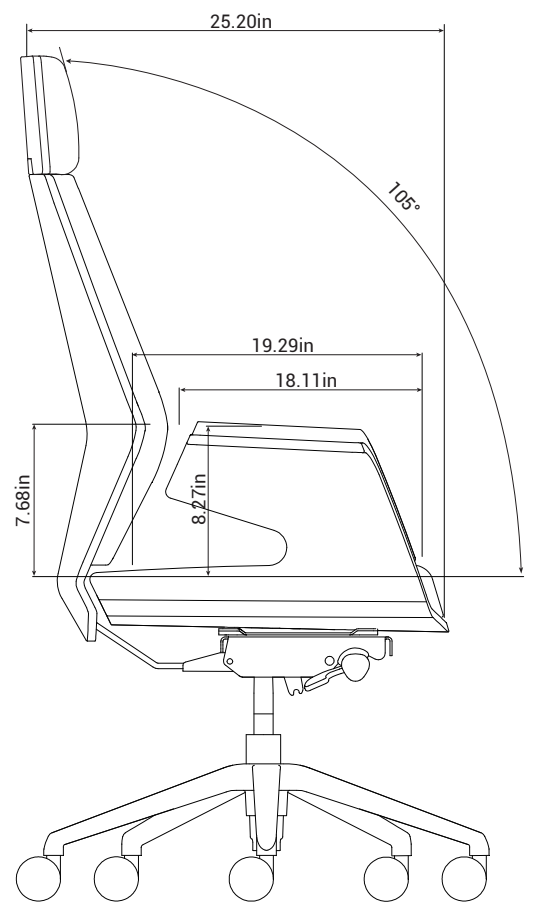
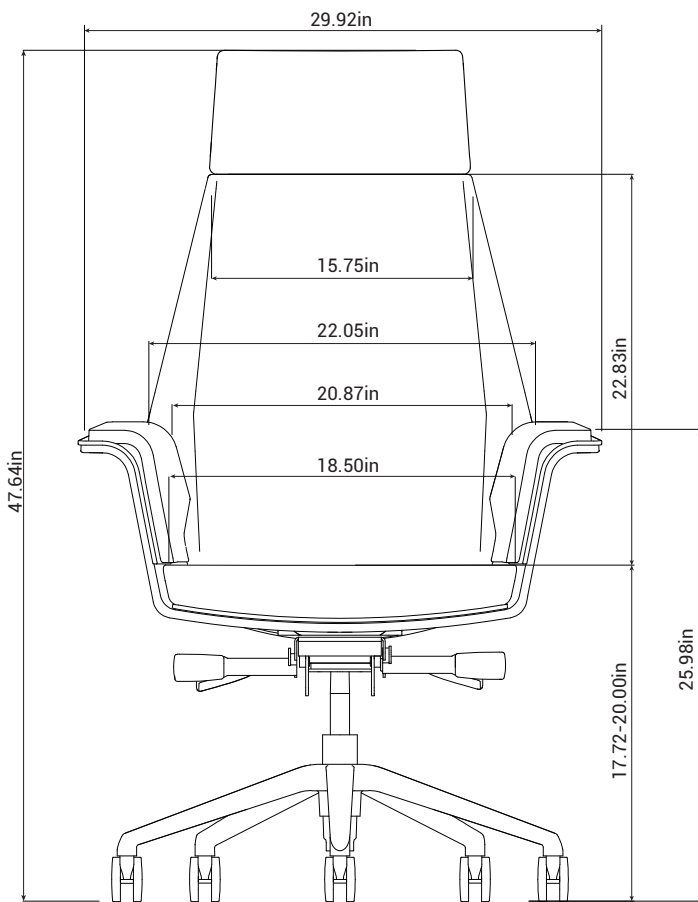
Remark: Seat height from floor, back height from seat and arm height from seat are measured when there is no load on the chair.



Chair Specification | Coupe CCP81SR、CCP81SC、CCP81SQ

Overall Depth	Overall Width	Overall Height	Seat Depth	Functional Seat Depth	Seat Width	Seat Height from Floor	Ring Height from Floor	Back Width (Max and Min)
25.20in	29.92in	47.64in	19.29in	18.11in	18.50in	17.72-20.00in	/	22.05in/15.75in

Back Height from Seat	Back Lumbar Height	Lumbar Adjustment Range	Width Between Arms	Arm to Floor	Arm Height from Seat	Seat Pan Angle	Back Recline Angle
22.83in	7.68in	/	20.87in	25.98in	8.27in	0°	105°



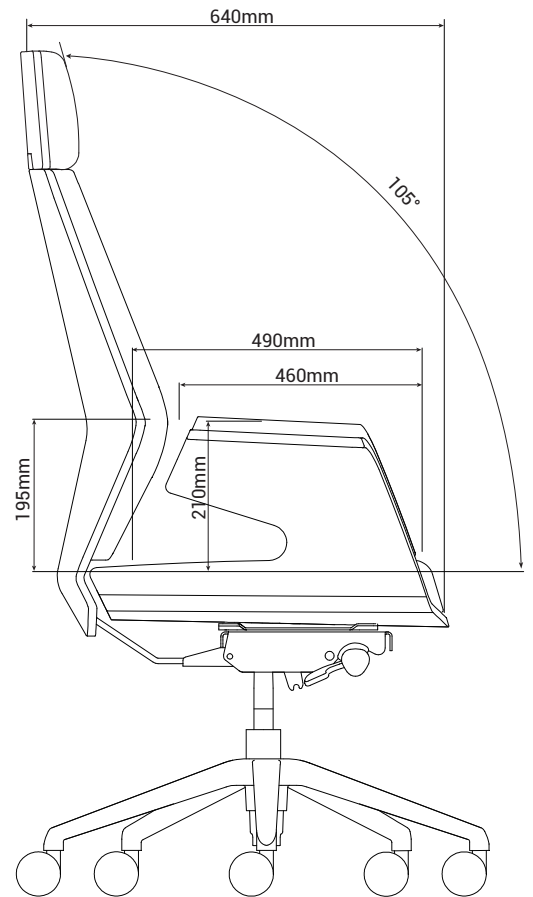
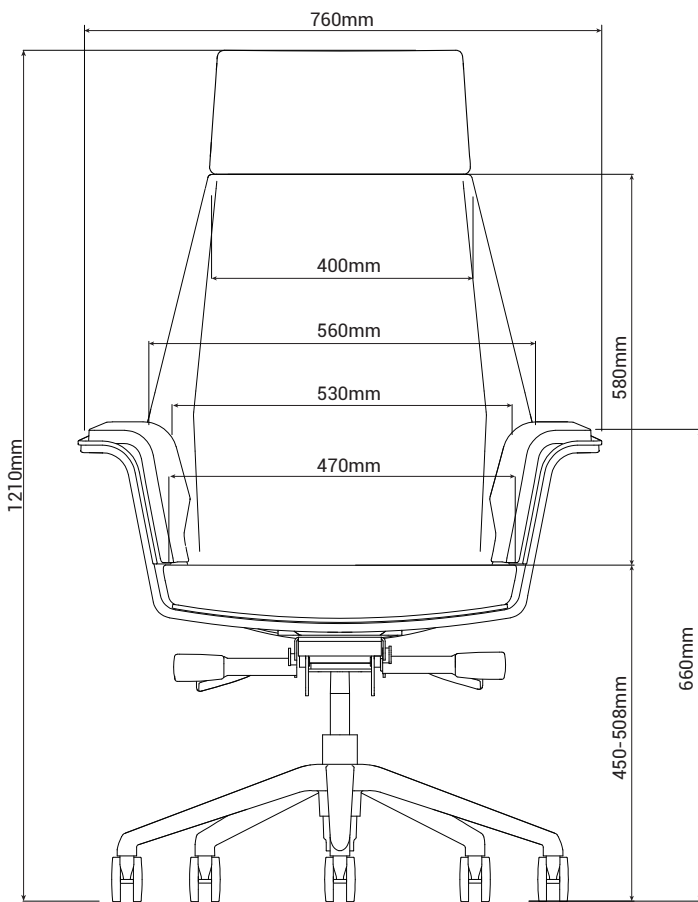
Remark: Seat height from floor, back height from seat and arm height from seat are measured when there is no load on the chair.



Chair Specification | Coupe CCP81SR、CCP81SC、CCP81SQ

Overall Depth	Overall Width	Overall Height	Seat Depth	Functional Seat Depth	Seat Width	Seat Height from Floor	Ring Height from Floor	Back Width (Max and Min)
640mm	760mm	1210mm	490mm	460mm	470mm	450-508mm	/	560mm/400mm

Back Height from Seat	Back Lumbar Height	Lumbar Adjustment Range	Width Between Arms	Arm to Floor	Arm Height from Seat	Seat Pan Angle	Back Recline Angle
580mm	195mm	/	530mm	660mm	210mm	0°	105°



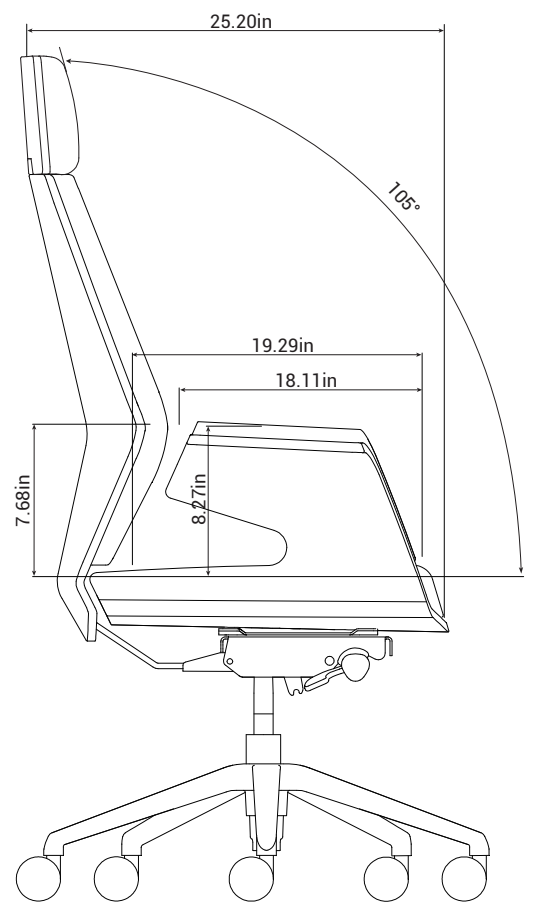
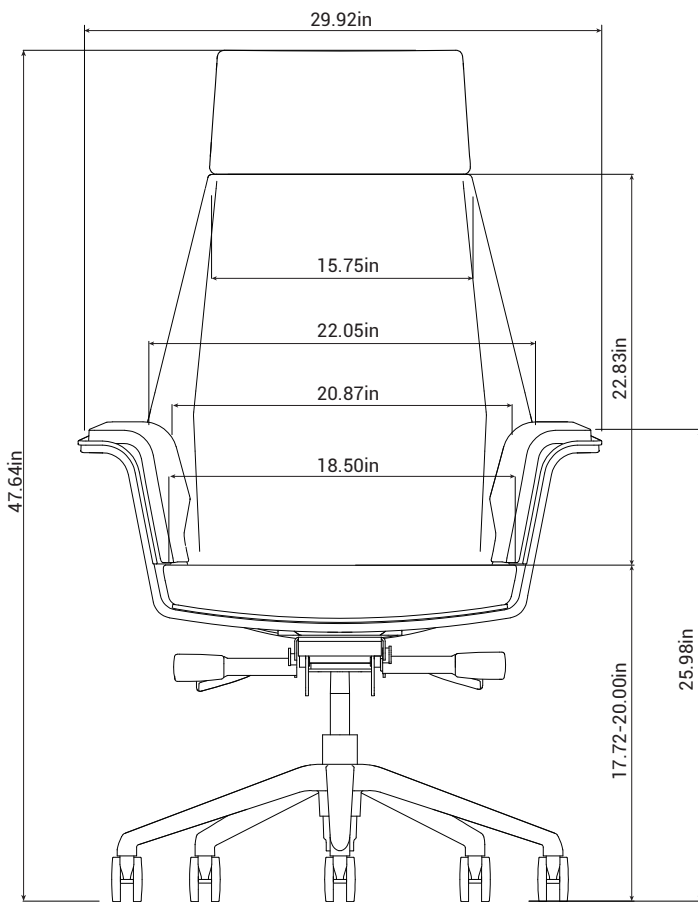
Remark: Seat height from floor, back height from seat and arm height from seat are measured when there is no load on the chair.



Chair Specification | Coupe CCP81SR、CCP81SC、CCP81SQ

Overall Depth	Overall Width	Overall Height	Seat Depth	Functional Seat Depth	Seat Width	Seat Height from Floor	Ring Height from Floor	Back Width (Max and Min)
25.20in	29.92in	47.64in	19.29in	18.11in	18.50in	17.72-20.00in	/	22.05in/15.75in

Back Height from Seat	Back Lumbar Height	Lumbar Adjustment Range	Width Between Arms	Arm to Floor	Arm Height from Seat	Seat Pan Angle	Back Recline Angle
22.83in	7.68in	/	20.87in	25.98in	8.27in	0°	105°



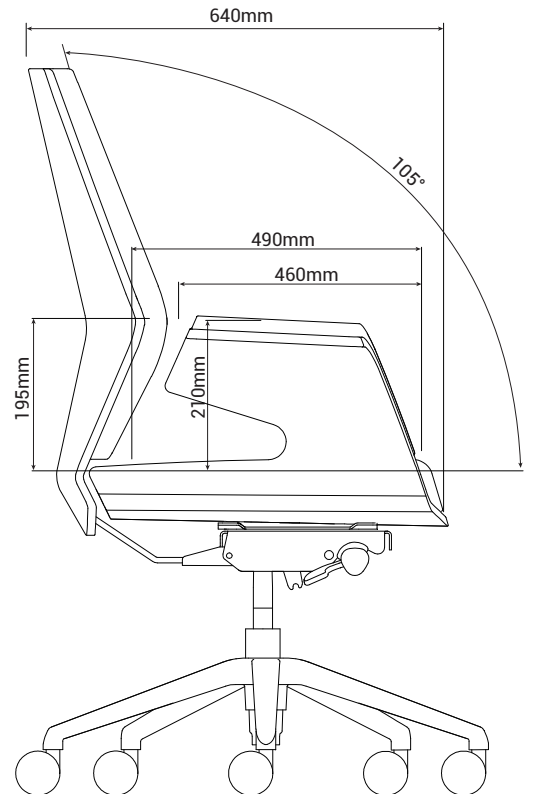
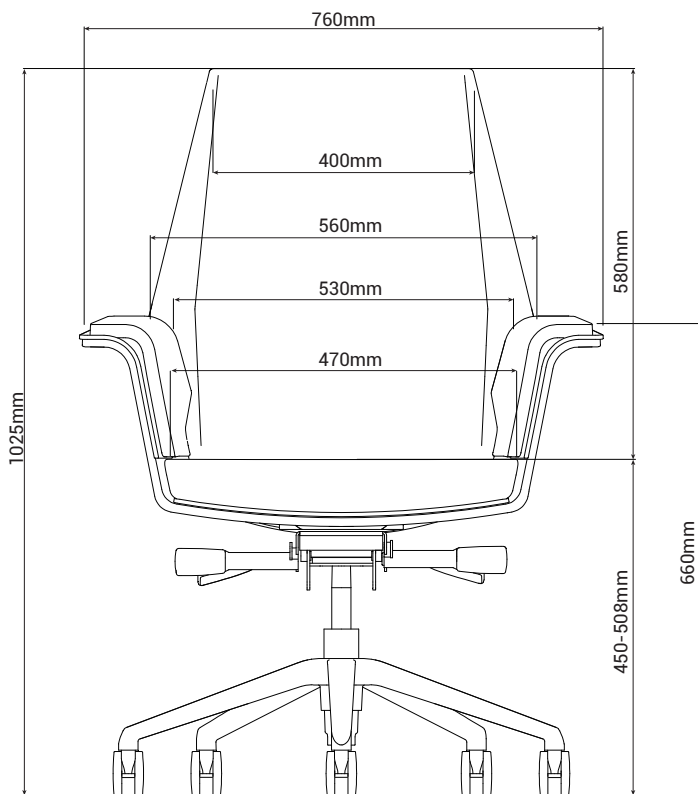
Remark: Seat height from floor, back height from seat and arm height from seat are measured when there is no load on the chair.



Chair Specification | Coupe CCP61SR,CCP61SC,CCP61SQ

Overall Depth	Overall Width	Overall Height	Seat Depth	Functional Seat Depth	Seat Width	Seat Height from Floor	Ring Height from Floor	Back Width (Max and Min)
640mm	760mm	1025mm	490mm	460mm	470mm	450-508mm	/	560mm/400mm

Back Height from Seat	Back Lumbar Height	Lumbar Adjustment Range	Width Between Arms	Arm to Floor	Arm Height from Seat	Seat Pan Angle	Back Recline Angle
580mm	195mm	/	530mm	660mm	210mm	0°	105°



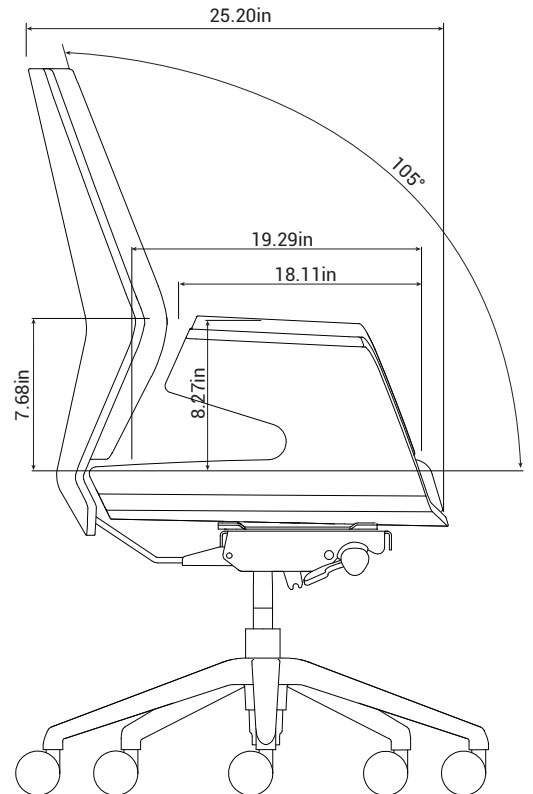
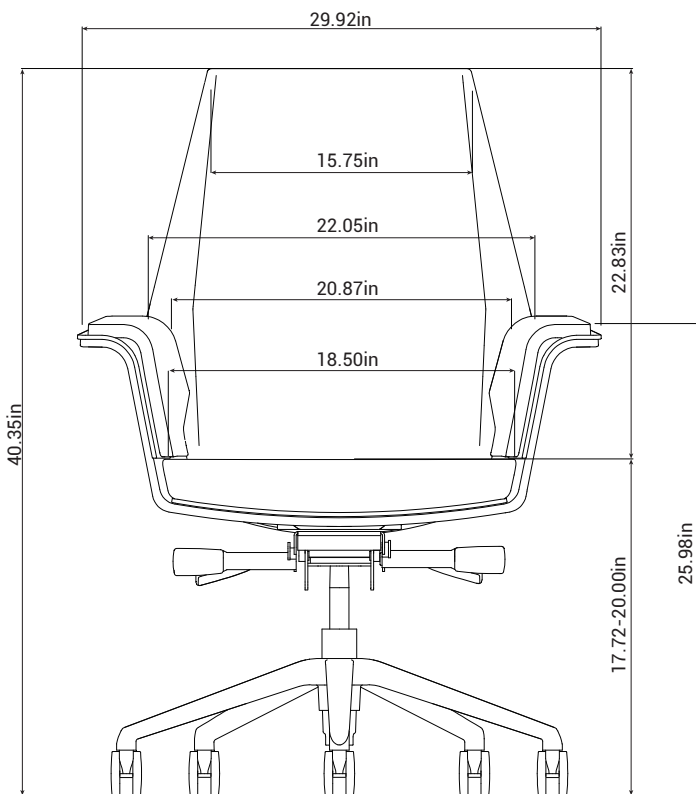
Remark: Seat height from floor, back height from seat and arm height from seat are measured when there is no load on the chair.



Chair Specification | Coupe CCP61SR,CCP61SC,CCP61SQ

Overall Depth	Overall Width	Overall Height	Seat Depth	Functional Seat Depth	Seat Width	Seat Height from Floor	Ring Height from Floor	Back Width (Max and Min)
25.20in	29.92in	40.35in	19.29in	18.11in	18.50in	17.72-20.00in	/	22.05in/15.75in

Back Height from Seat	Back Lumbar Height	Lumbar Adjustment Range	Width Between Arms	Arm to Floor	Arm Height from Seat	Seat Pan Angle	Back Recline Angle
22.83in	7.68in	/	20.87in	25.98in	8.27in	0°	105°



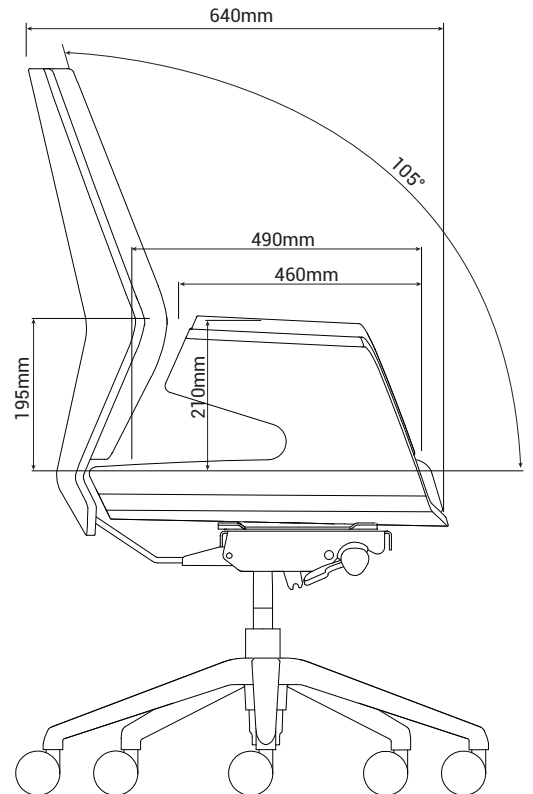
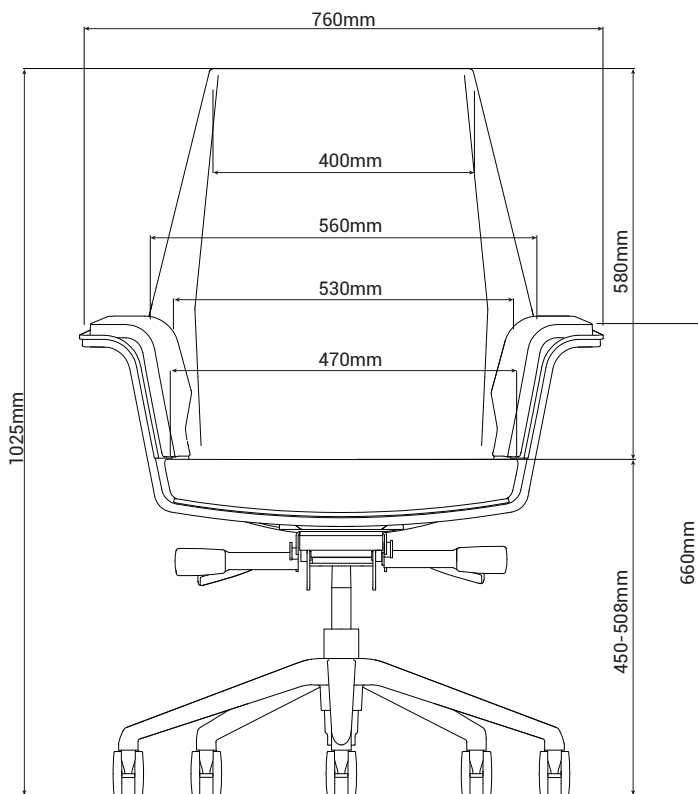
Remark: Seat height from floor, back height from seat and arm height from seat are measured when there is no load on the chair.



Chair Specification | Coupe CCP61SR,CCP61SC,CCP61SQ

Overall Depth	Overall Width	Overall Height	Seat Depth	Functional Seat Depth	Seat Width	Seat Height from Floor	Ring Height from Floor	Back Width (Max and Min)
640mm	760mm	1025mm	490mm	460mm	470mm	450-508mm	/	560mm/400mm

Back Height from Seat	Back Lumbar Height	Lumbar Adjustment Range	Width Between Arms	Arm to Floor	Arm Height from Seat	Seat Pan Angle	Back Recline Angle
580mm	195mm	/	530mm	660mm	210mm	0°	105°



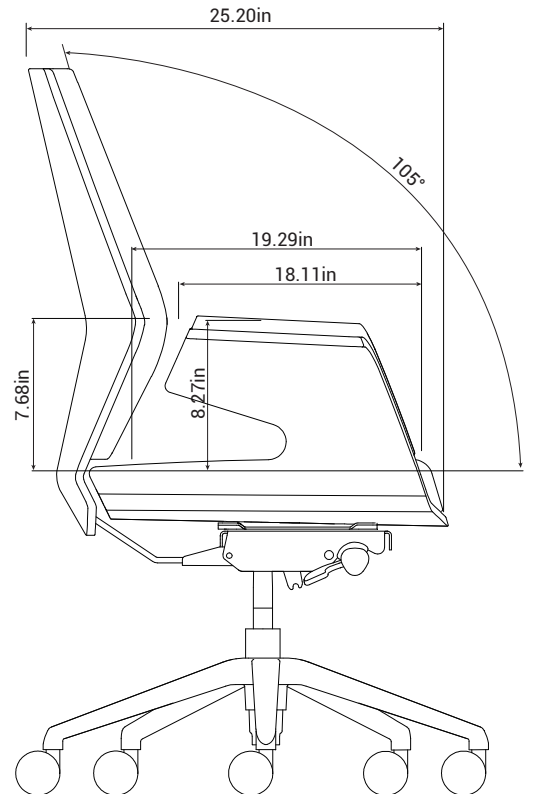
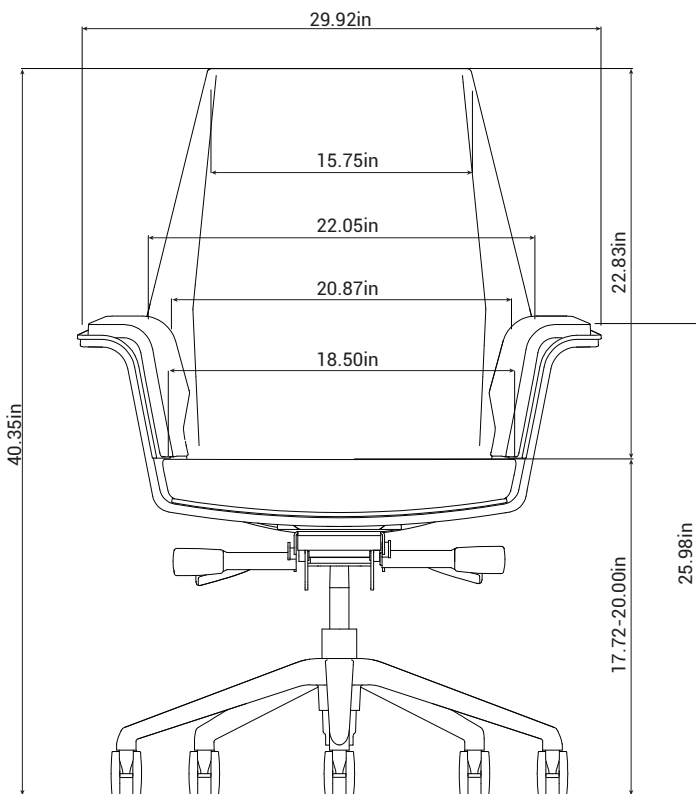
Remark: Seat height from floor, back height from seat and arm height from seat are measured when there is no load on the chair.



Chair Specification | Coupe CCP61SR,CCP61SC,CCP61SQ

Overall Depth	Overall Width	Overall Height	Seat Depth	Functional Seat Depth	Seat Width	Seat Height from Floor	Ring Height from Floor	Back Width (Max and Min)
25.20in	29.92in	40.35in	19.29in	18.11in	18.50in	17.72-20.00in	/	22.05in/15.75in

Back Height from Seat	Back Lumbar Height	Lumbar Adjustment Range	Width Between Arms	Arm to Floor	Arm Height from Seat	Seat Pan Angle	Back Recline Angle
22.83in	7.68in	/	20.87in	25.98in	8.27in	0°	105°



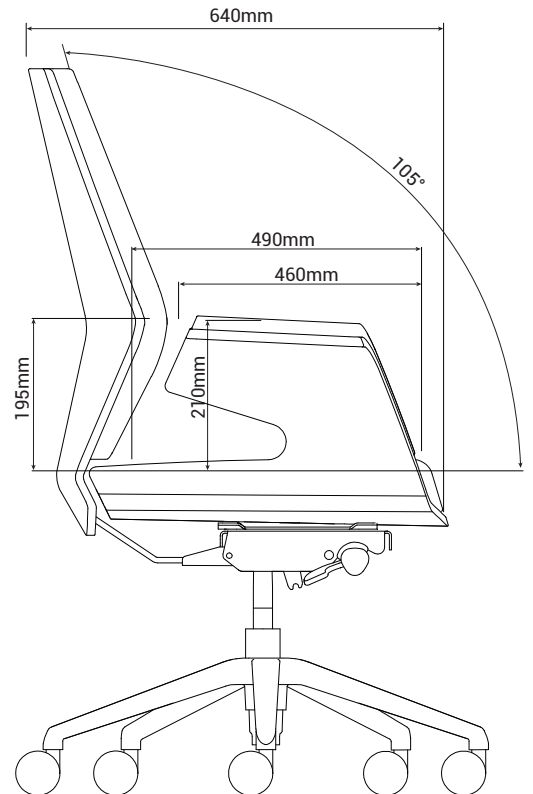
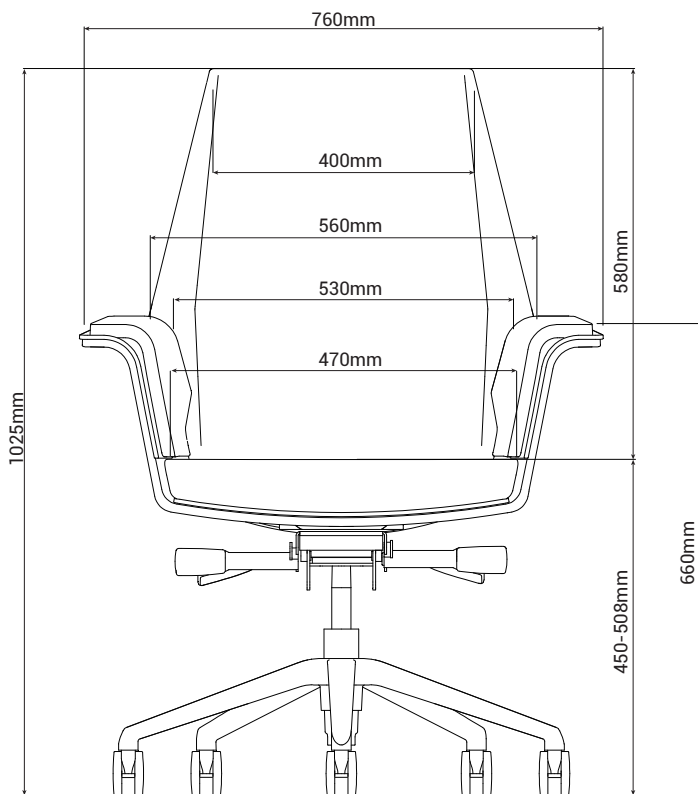
Remark: Seat height from floor, back height from seat and arm height from seat are measured when there is no load on the chair.



Chair Specification | Coupe CCP61SR,CCP61SC,CCP61SQ

Overall Depth	Overall Width	Overall Height	Seat Depth	Functional Seat Depth	Seat Width	Seat Height from Floor	Ring Height from Floor	Back Width (Max and Min)
640mm	760mm	1025mm	490mm	460mm	470mm	450-508mm	/	560mm/400mm

Back Height from Seat	Back Lumbar Height	Lumbar Adjustment Range	Width Between Arms	Arm to Floor	Arm Height from Seat	Seat Pan Angle	Back Recline Angle
580mm	195mm	/	530mm	660mm	210mm	0°	105°



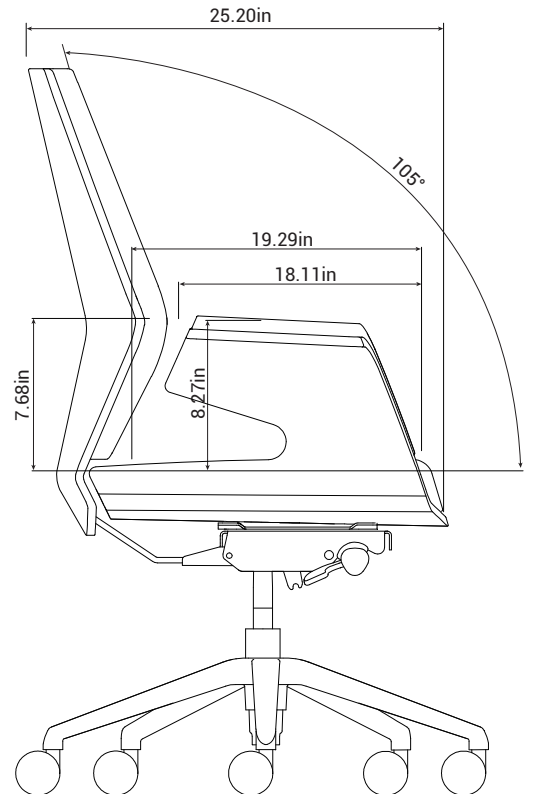
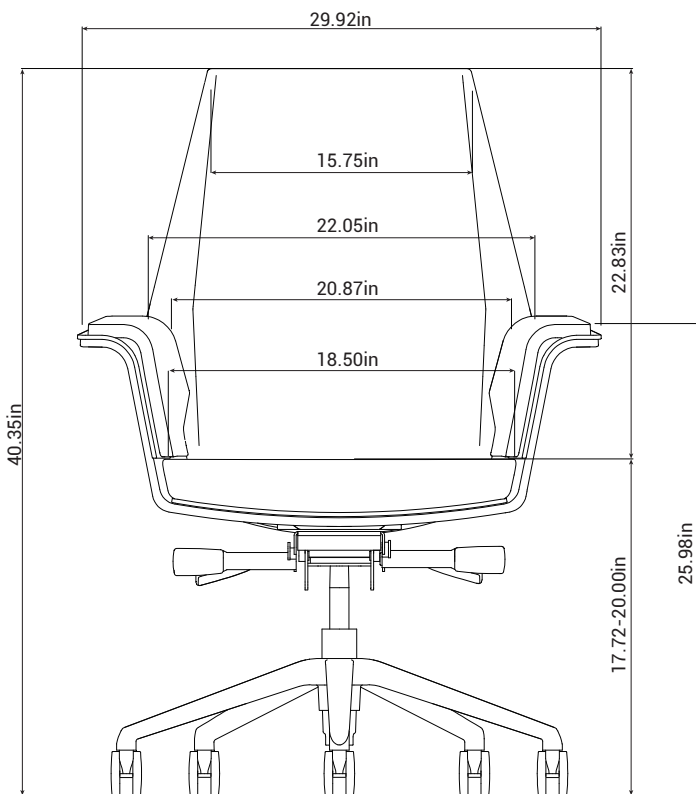
Remark: Seat height from floor, back height from seat and arm height from seat are measured when there is no load on the chair.



Chair Specification | Coupe CCP61SR,CCP61SC,CCP61SQ

Overall Depth	Overall Width	Overall Height	Seat Depth	Functional Seat Depth	Seat Width	Seat Height from Floor	Ring Height from Floor	Back Width (Max and Min)
25.20in	29.92in	40.35in	19.29in	18.11in	18.50in	17.72-20.00in	/	22.05in/15.75in

Back Height from Seat	Back Lumbar Height	Lumbar Adjustment Range	Width Between Arms	Arm to Floor	Arm Height from Seat	Seat Pan Angle	Back Recline Angle
22.83in	7.68in	/	20.87in	25.98in	8.27in	0°	105°



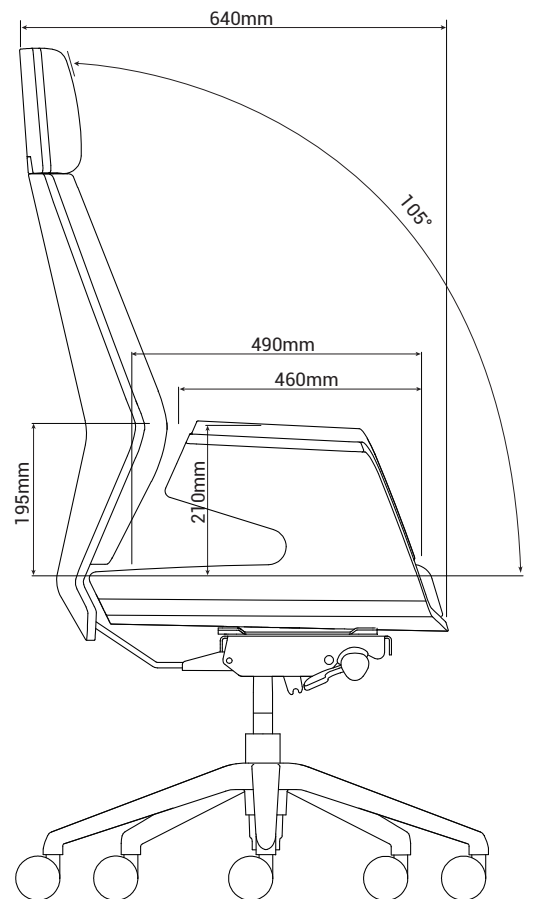
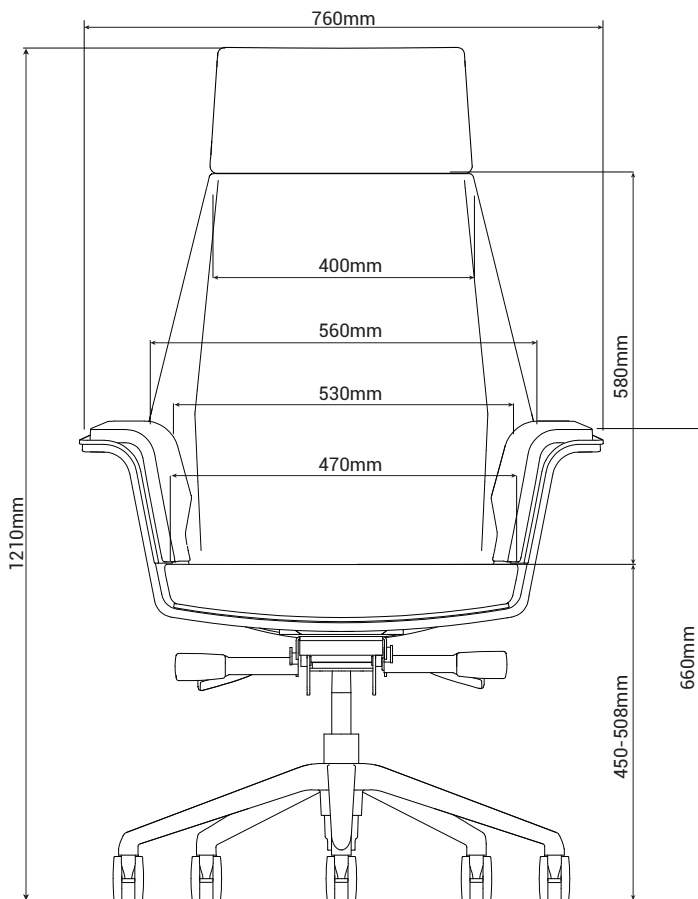
Remark: Seat height from floor, back height from seat and arm height from seat are measured when there is no load on the chair.



Chair Specification | Coupe CCP82SR、CCP82SQ

Overall Depth	Overall Width	Overall Height	Seat Depth	Functional Seat Depth	Seat Width	Seat Height from Floor	Ring Height from Floor	Back Width (Max and Min)
640mm	760mm	1210mm	490mm	460mm	470mm	450-508mm	/	560mm/400mm

Back Height from Seat	Back Lumbar Height	Lumbar Adjustment Range	Width Between Arms	Arm to Floor	Arm Height from Seat	Seat Pan Angle	Back Recline Angle
580mm	195mm	/	530mm	660mm	210mm	0°	105°



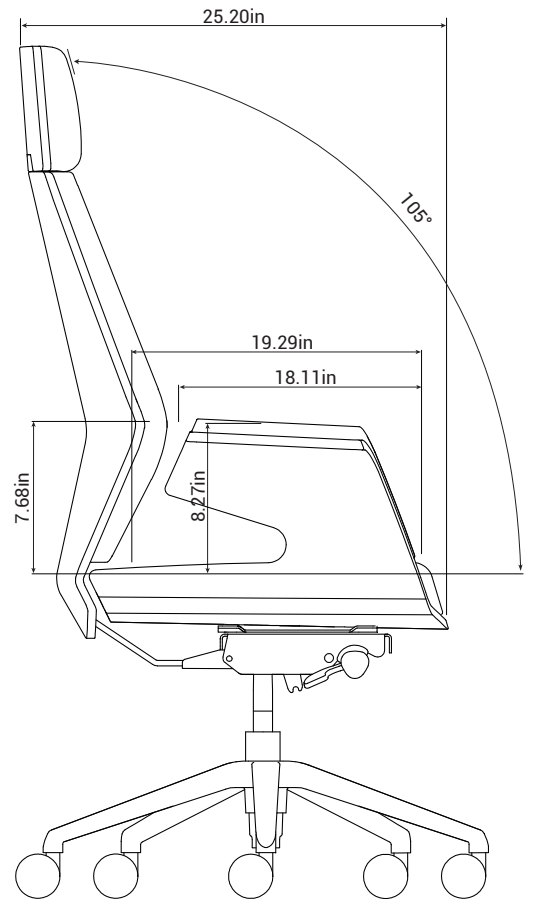
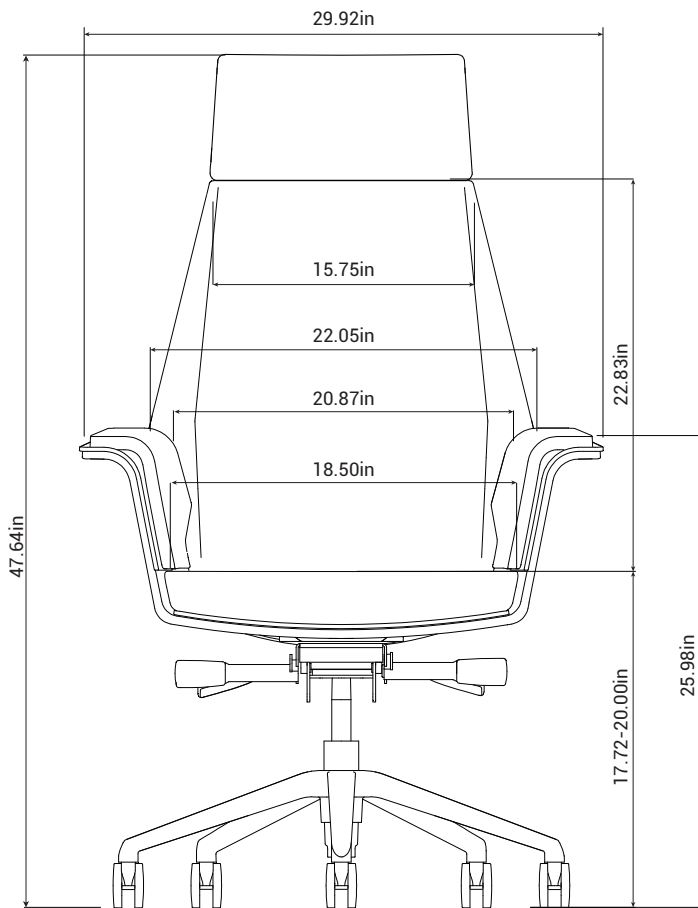
Remark: Seat height from floor, back height from seat and arm height from seat are measured when there is no load on the chair.



Chair Specification | Coupe CCP82SR、CCP82SQ

Overall Depth	Overall Width	Overall Height	Seat Depth	Functional Seat Depth	Seat Width	Seat Height from Floor	Ring Height from Floor	Back Width (Max and Min)
25.20in	29.92in	47.64in	19.29in	18.11in	18.50in	17.72-20.00in	/	22.05in/15.75in

Back Height from Seat	Back Lumbar Height	Lumbar Adjustment Range	Width Between Arms	Arm to Floor	Arm Height from Seat	Seat Pan Angle	Back Recline Angle
22.83in	7.68in	/	20.87in	25.98in	8.27in	0°	105°



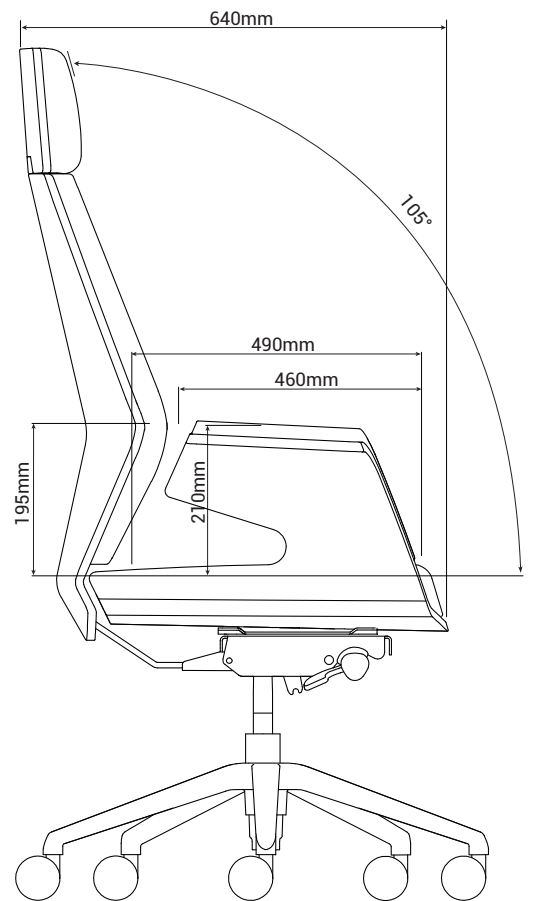
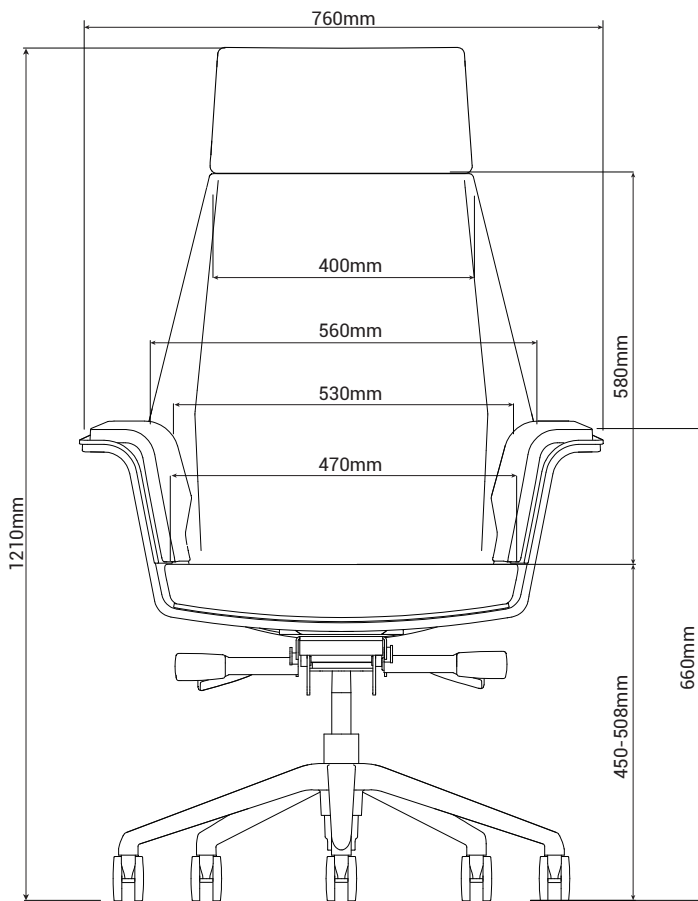
Remark: Seat height from floor, back height from seat and arm height from seat are measured when there is no load on the chair.



Chair Specification | Coupe CCP82SR、CCP82SQ

Overall Depth	Overall Width	Overall Height	Seat Depth	Functional Seat Depth	Seat Width	Seat Height from Floor	Ring Height from Floor	Back Width (Max and Min)
640mm	760mm	1210mm	490mm	460mm	470mm	450-508mm	/	560mm/400mm

Back Height from Seat	Back Lumbar Height	Lumbar Adjustment Range	Width Between Arms	Arm to Floor	Arm Height from Seat	Seat Pan Angle	Back Recline Angle
580mm	195mm	/	530mm	660mm	210mm	0°	105°



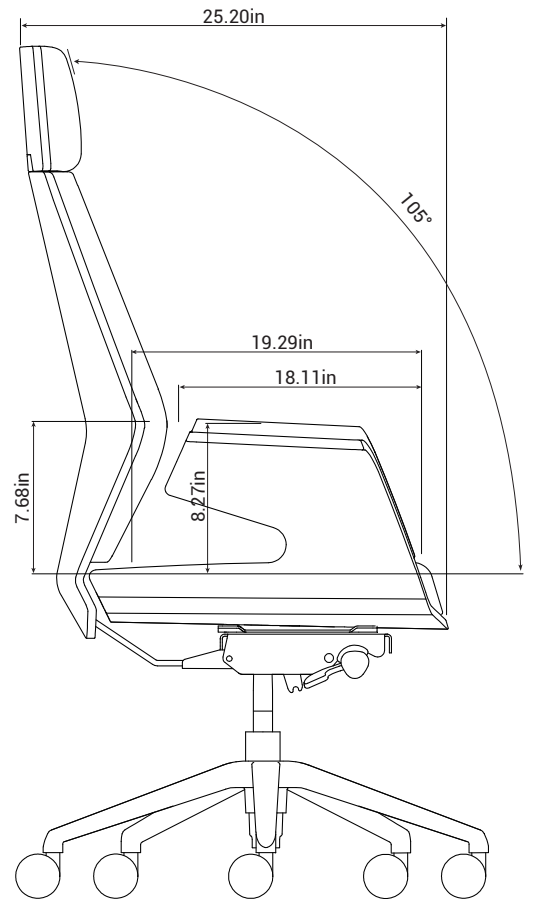
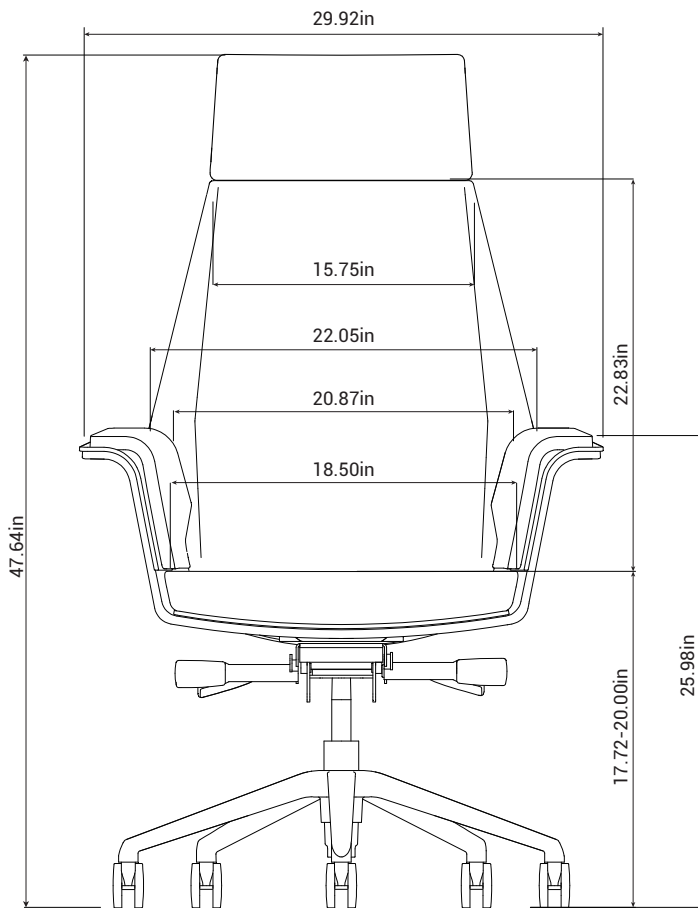
Remark: Seat height from floor, back height from seat and arm height from seat are measured when there is no load on the chair.



Chair Specification | Coupe CCP82SR、CCP82SQ

Overall Depth	Overall Width	Overall Height	Seat Depth	Functional Seat Depth	Seat Width	Seat Height from Floor	Ring Height from Floor	Back Width (Max and Min)
25.20in	29.92in	47.64in	19.29in	18.11in	18.50in	17.72-20.00in	/	22.05in/15.75in

Back Height from Seat	Back Lumbar Height	Lumbar Adjustment Range	Width Between Arms	Arm to Floor	Arm Height from Seat	Seat Pan Angle	Back Recline Angle
22.83in	7.68in	/	20.87in	25.98in	8.27in	0°	105°



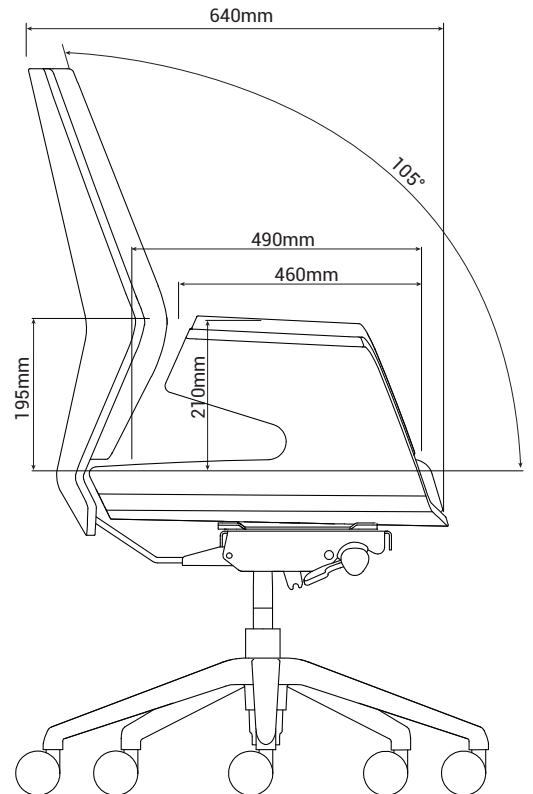
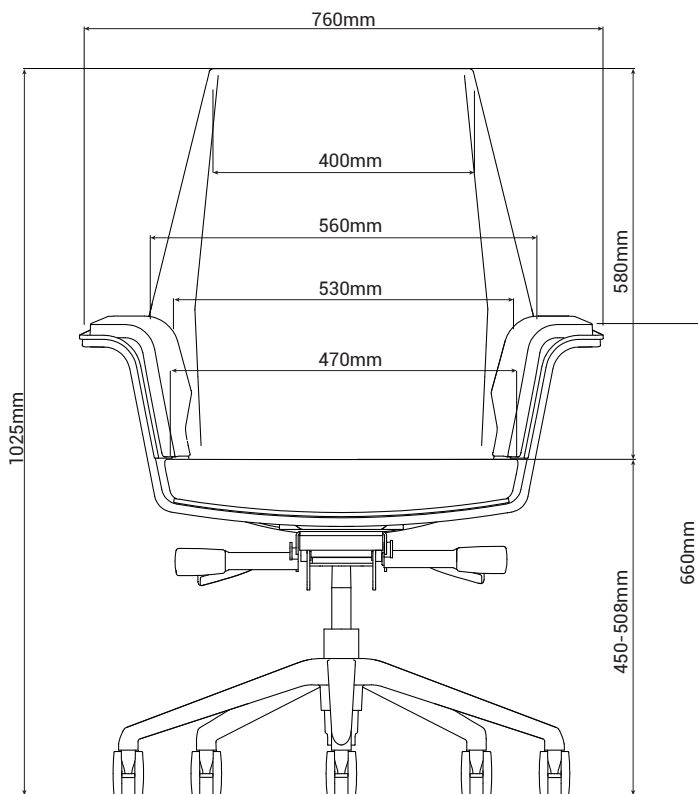
Remark: Seat height from floor, back height from seat and arm height from seat are measured when there is no load on the chair.



Chair Specification | Coupe CCP62SR、CCP62SQ

Overall Depth	Overall Width	Overall Height	Seat Depth	Functional Seat Depth	Seat Width	Seat Height from Floor	Ring Height from Floor	Back Width (Max and Min)
640mm	760mm	1025mm	490mm	460mm	470mm	450-508mm	/	560mm/400mm

Back Height from Seat	Back Lumbar Height	Lumbar Adjustment Range	Width Between Arms	Arm to Floor	Arm Height from Seat	Seat Pan Angle	Back Recline Angle
580mm	195mm	/	530mm	660mm	210mm	0°	105°



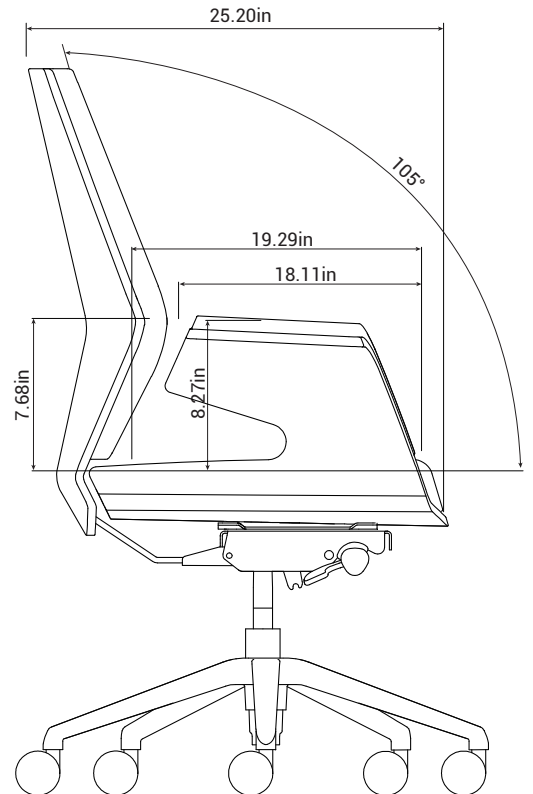
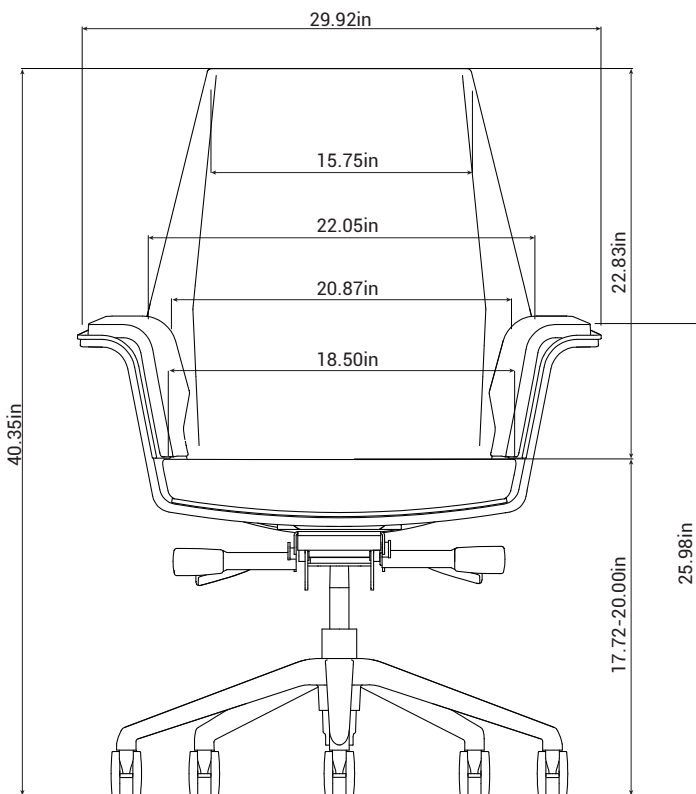
Remark: Seat height from floor, back height from seat and arm height from seat are measured when there is no load on the chair.



Chair Specification | Coupe CCP62SR、CCP62SQ

Overall Depth	Overall Width	Overall Height	Seat Depth	Functional Seat Depth	Seat Width	Seat Height from Floor	Ring Height from Floor	Back Width (Max and Min)
25.20in	29.92in	40.35in	19.29in	18.11in	18.50in	17.72-20.00in	/	22.05in/15.75in

Back Height from Seat	Back Lumbar Height	Lumbar Adjustment Range	Width Between Arms	Arm to Floor	Arm Height from Seat	Seat Pan Angle	Back Recline Angle
22.83in	7.68in	/	20.87in	25.98in	8.27in	0°	105°



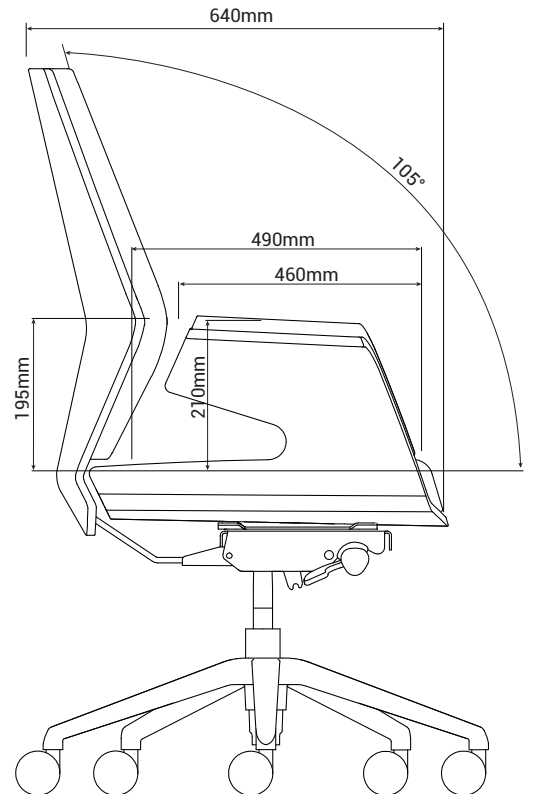
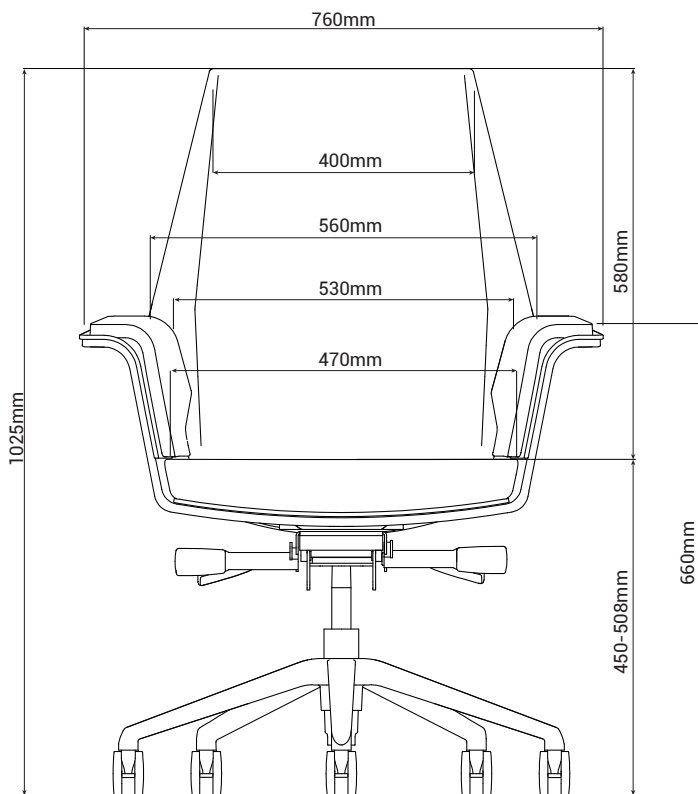
Remark: Seat height from floor, back height from seat and arm height from seat are measured when there is no load on the chair.



Chair Specification | Coupe CCP62SR、CCP62SQ

Overall Depth	Overall Width	Overall Height	Seat Depth	Functional Seat Depth	Seat Width	Seat Height from Floor	Ring Height from Floor	Back Width (Max and Min)
640mm	760mm	1025mm	490mm	460mm	470mm	450-508mm	/	560mm/400mm

Back Height from Seat	Back Lumbar Height	Lumbar Adjustment Range	Width Between Arms	Arm to Floor	Arm Height from Seat	Seat Pan Angle	Back Recline Angle
580mm	195mm	/	530mm	660mm	210mm	0°	105°



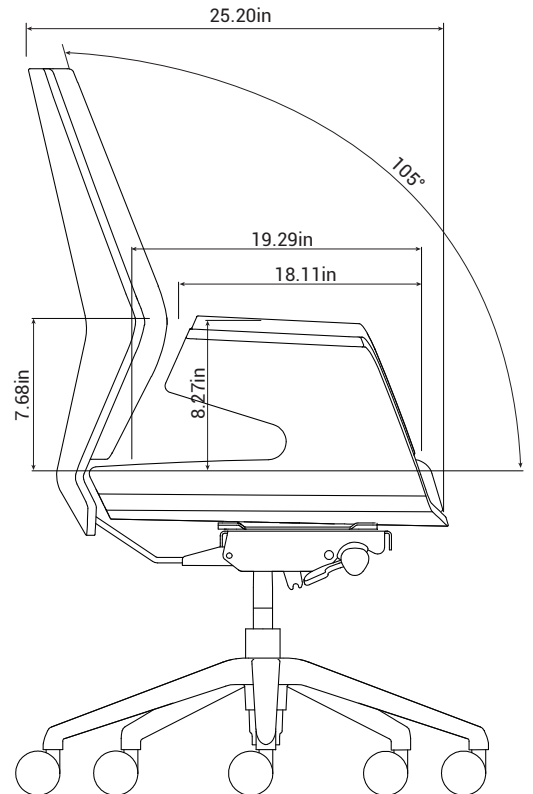
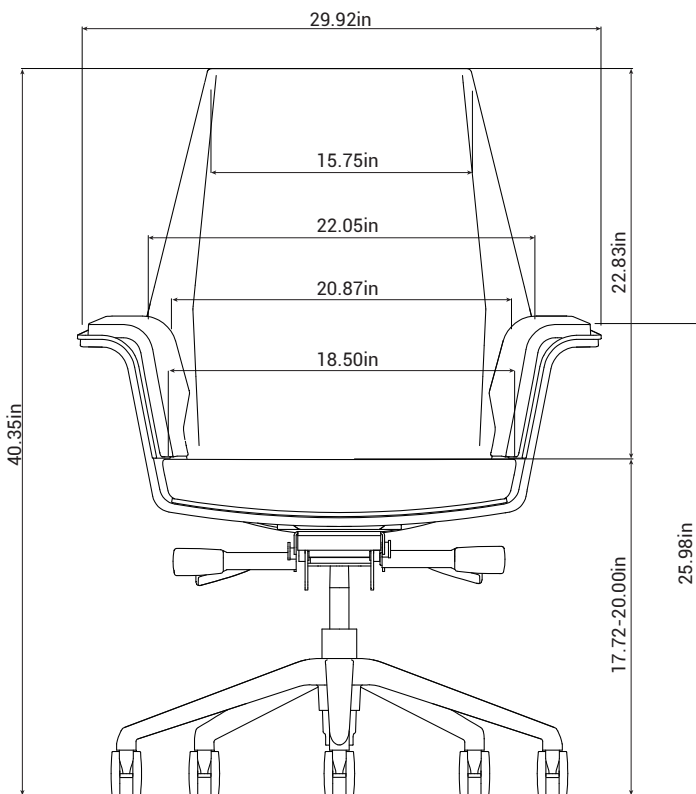
Remark: Seat height from floor, back height from seat and arm height from seat are measured when there is no load on the chair.



Chair Specification | Coupe CCP62SR、CCP62SQ

Overall Depth	Overall Width	Overall Height	Seat Depth	Functional Seat Depth	Seat Width	Seat Height from Floor	Ring Height from Floor	Back Width (Max and Min)
25.20in	29.92in	40.35in	19.29in	18.11in	18.50in	17.72-20.00in	/	22.05in/15.75in

Back Height from Seat	Back Lumbar Height	Lumbar Adjustment Range	Width Between Arms	Arm to Floor	Arm Height from Seat	Seat Pan Angle	Back Recline Angle
22.83in	7.68in	/	20.87in	25.98in	8.27in	0°	105°



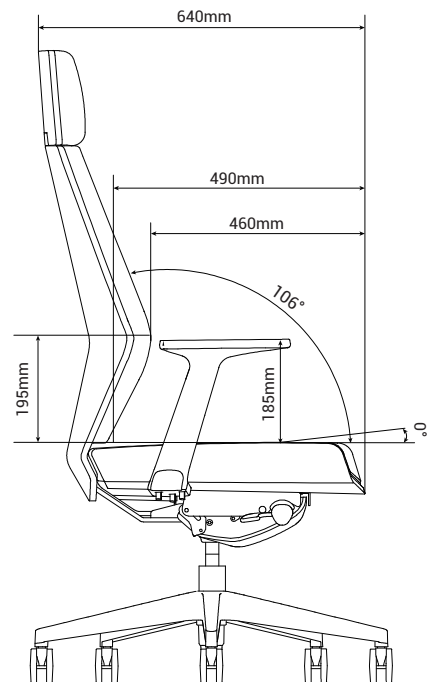
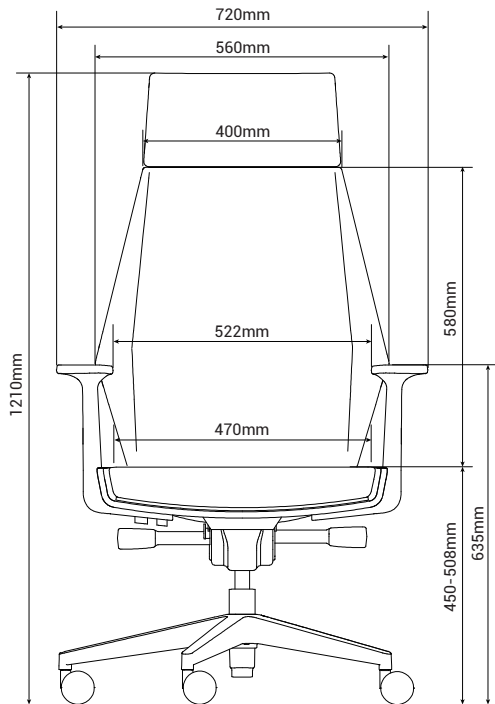
Remark: Seat height from floor, back height from seat and arm height from seat are measured when there is no load on the chair.



Chair Specification | Coupe II CCP83SR、CCP83SQ

Overall Depth	Overall Width	Overall Height	Seat Depth	Functional Seat Depth	Seat Width	Seat Height from Floor	Ring Height from Floor	Back Width (Max and Min)
640mm	720mm	1210mm	490mm	460mm	470mm	450-508mm	/	560/400mm

Back Height from Seat	Back Lumbar Height	Lumbar Adjustment Range	Width Between Arms	Arm to Floor	Arm Height from Seat	Seat Pan Angle	Back Recline Angle
580mm	195mm	/	522mm	635mm	185mm	0°	105°



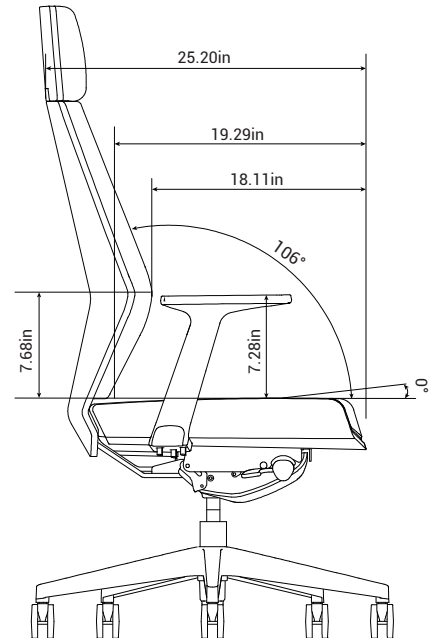
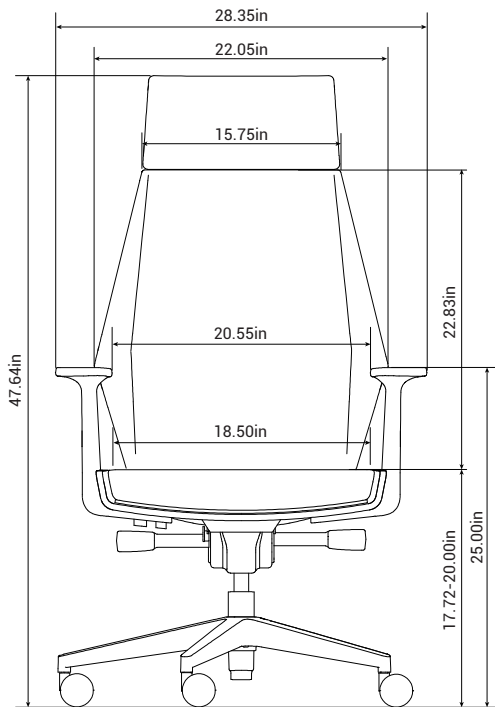
Remark: Seat height from floor, back height from seat and arm height from seat are measured when there is no load on the chair.



Chair Specification | Coupe II CCP83SR、CCP83SQ

Overall Depth	Overall Width	Overall Height	Seat Depth	Functional Seat Depth	Seat Width	Seat Height from Floor	Ring Height from Floor	Back Width (Max and Min)
25.20in	28.35in	47.64in	19.29in	18.11in	18.50in	17.71-20.00in	/	22.05/15.75in

Back Height from Seat	Back Lumbar Height	Lumbar Adjustment Range	Width Between Arms	Arm to Floor	Arm Height from Seat	Seat Pan Angle	Back Recline Angle
22.83in	7.68in	/	20.55in	25.00in	7.28in	0°	105°



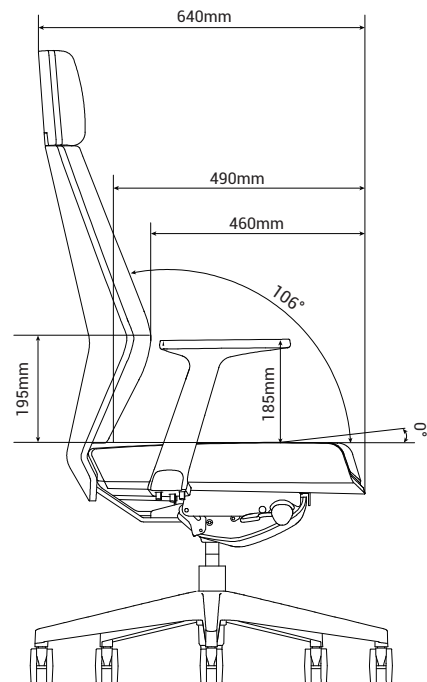
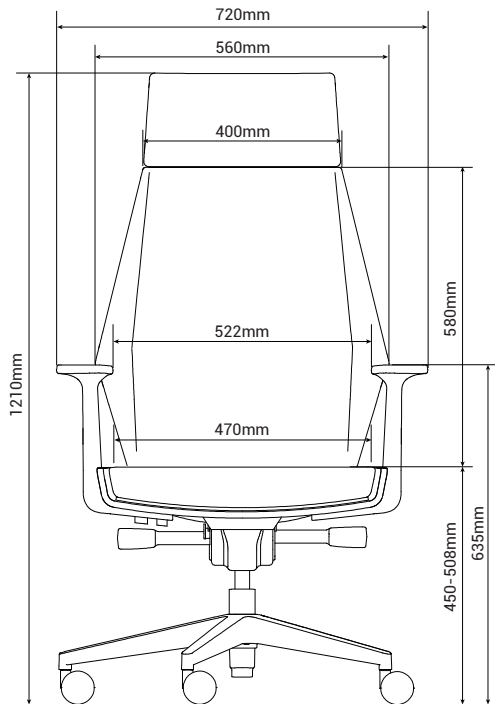
Remark: Seat height from floor, back height from seat and arm height from seat are measured when there is no load on the chair.



Chair Specification | Coupe II CCP83SR、CCP83SQ

Overall Depth	Overall Width	Overall Height	Seat Depth	Functional Seat Depth	Seat Width	Seat Height from Floor	Ring Height from Floor	Back Width (Max and Min)
640mm	720mm	1210mm	490mm	460mm	470mm	450-508mm	/	560/400mm

Back Height from Seat	Back Lumbar Height	Lumbar Adjustment Range	Width Between Arms	Arm to Floor	Arm Height from Seat	Seat Pan Angle	Back Recline Angle
580mm	195mm	/	522mm	635mm	185mm	0°	105°



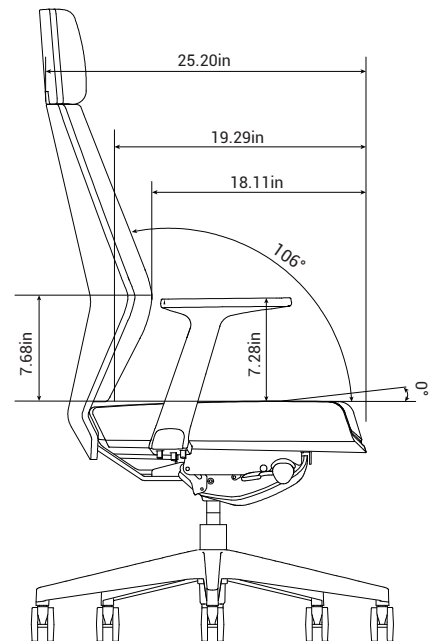
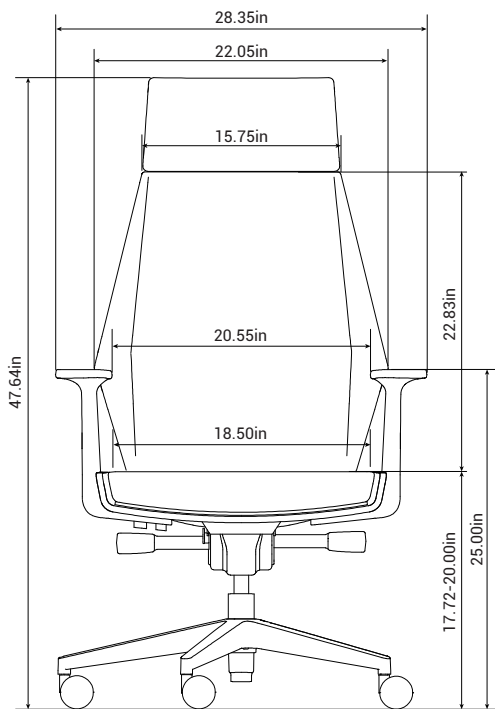
Remark: Seat height from floor, back height from seat and arm height from seat are measured when there is no load on the chair.



Chair Specification | Coupe II CCP83SR、CCP83SQ

Overall Depth	Overall Width	Overall Height	Seat Depth	Functional Seat Depth	Seat Width	Seat Height from Floor	Ring Height from Floor	Back Width (Max and Min)
25.20in	28.35in	47.64in	19.29in	18.11in	18.50in	17.71-20.00in	/	22.05/15.75in

Back Height from Seat	Back Lumbar Height	Lumbar Adjustment Range	Width Between Arms	Arm to Floor	Arm Height from Seat	Seat Pan Angle	Back Recline Angle
22.83in	7.68in	/	20.55in	25.00in	7.28in	0°	105°



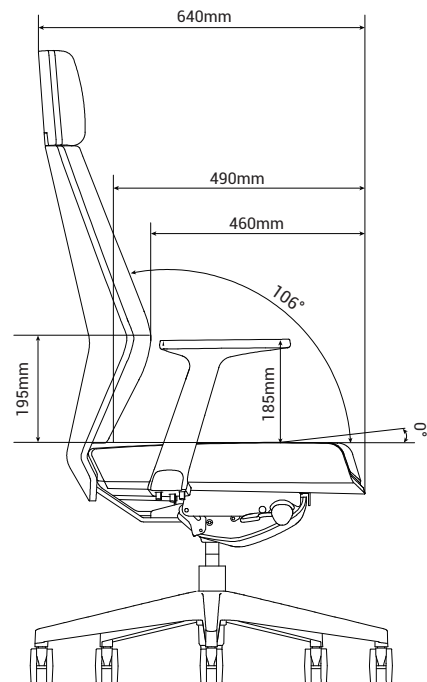
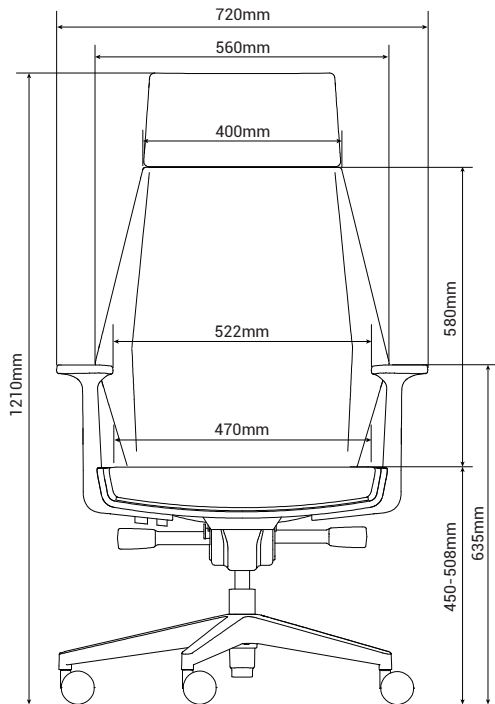
Remark: Seat height from floor, back height from seat and arm height from seat are measured when there is no load on the chair.



Chair Specification | Coupe II CCP83SR、CCP83SQ

Overall Depth	Overall Width	Overall Height	Seat Depth	Functional Seat Depth	Seat Width	Seat Height from Floor	Ring Height from Floor	Back Width (Max and Min)
640mm	720mm	1210mm	490mm	460mm	470mm	450-508mm	/	560/400mm

Back Height from Seat	Back Lumbar Height	Lumbar Adjustment Range	Width Between Arms	Arm to Floor	Arm Height from Seat	Seat Pan Angle	Back Recline Angle
580mm	195mm	/	522mm	635mm	185mm	0°	105°



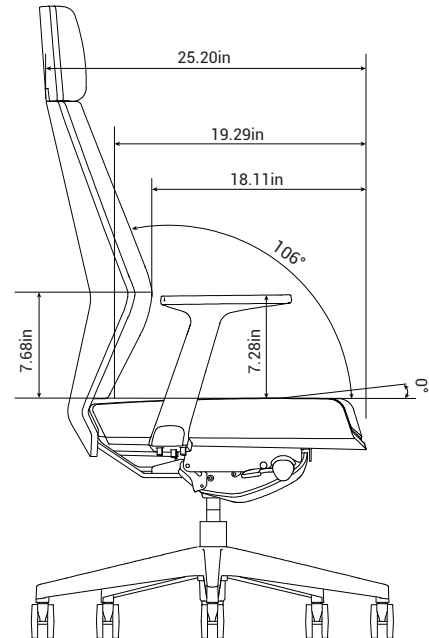
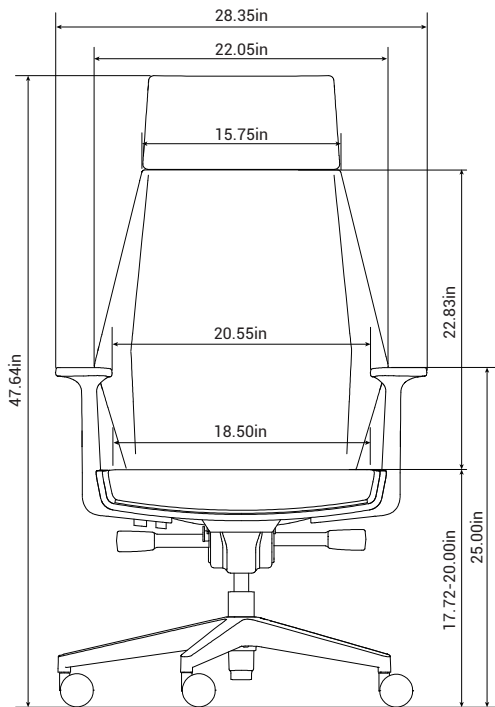
Remark: Seat height from floor, back height from seat and arm height from seat are measured when there is no load on the chair.



Chair Specification | Coupe II CCP83SR、CCP83SQ

Overall Depth	Overall Width	Overall Height	Seat Depth	Functional Seat Depth	Seat Width	Seat Height from Floor	Ring Height from Floor	Back Width (Max and Min)
25.20in	28.35in	47.64in	19.29in	18.11in	18.50in	17.71-20.00in	/	22.05/15.75in

Back Height from Seat	Back Lumbar Height	Lumbar Adjustment Range	Width Between Arms	Arm to Floor	Arm Height from Seat	Seat Pan Angle	Back Recline Angle
22.83in	7.68in	/	20.55in	25.00in	7.28in	0°	105°



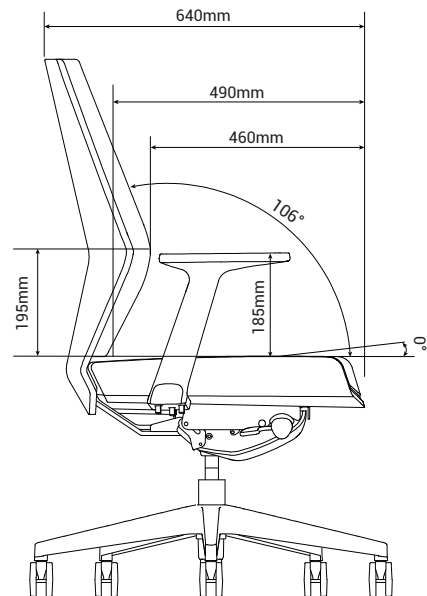
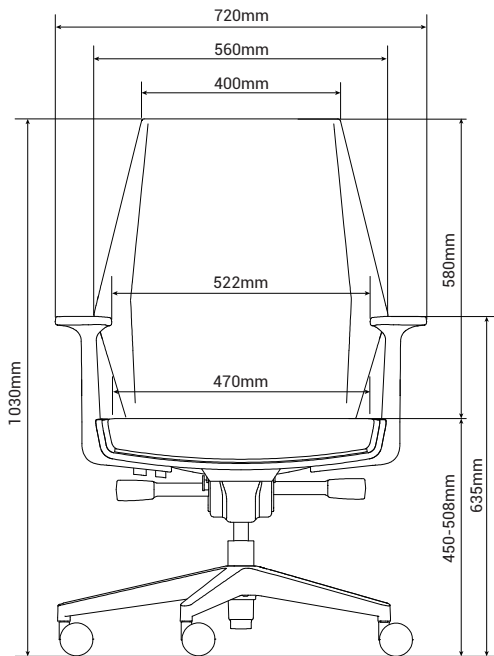
Remark: Seat height from floor, back height from seat and arm height from seat are measured when there is no load on the chair.



Chair Specification | Coupe II CCP63SR/CCP63SQ

Overall Depth	Overall Width	Overall Height	Seat Depth	Functional Seat Depth	Seat Width	Seat Height from Floor	Ring Height from Floor	Back Width (Max and Min)
640mm	720mm	1030mm	490mm	460mm	470mm	450-508mm	/	560/400mm

Back Height from Seat	Back Lumbar Height	Lumbar Adjustment Range	Width Between Arms	Arm to Floor	Arm Height from Seat	Seat Pan Angle	Back Recline Angle
580mm	195mm	/	522mm	635mm	185mm	0°	105°



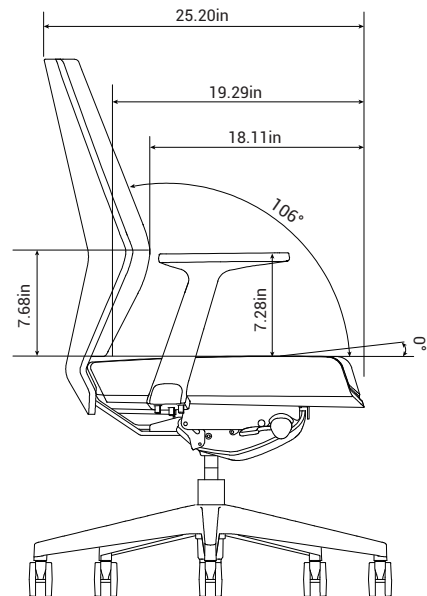
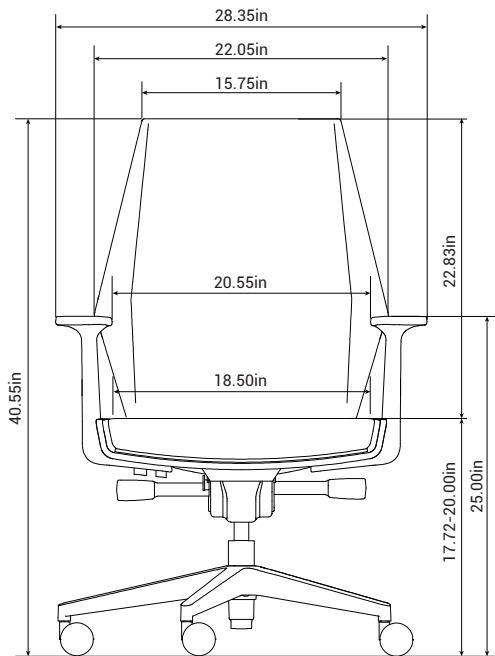
Remark: Seat height from floor, back height from seat and arm height from seat are measured when there is no load on the chair.



Chair Specification | Coupe II CCP63SR/CCP63SQ

Overall Depth	Overall Width	Overall Height	Seat Depth	Functional Seat Depth	Seat Width	Seat Height from Floor	Ring Height from Floor	Back Width (Max and Min)
25.20in	28.35in	40.55in	19.29in	18.11in	18.50in	17.71-20.00in	/	22.05/15.75in

Back Height from Seat	Back Lumbar Height	Lumbar Adjustment Range	Width Between Arms	Arm to Floor	Arm Height from Seat	Seat Pan Angle	Back Recline Angle
22.83in	7.68in	/	20.55in	25.00in	7.28in	0°	105°



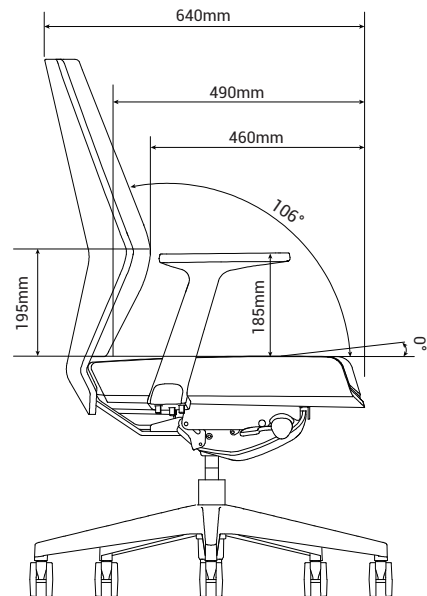
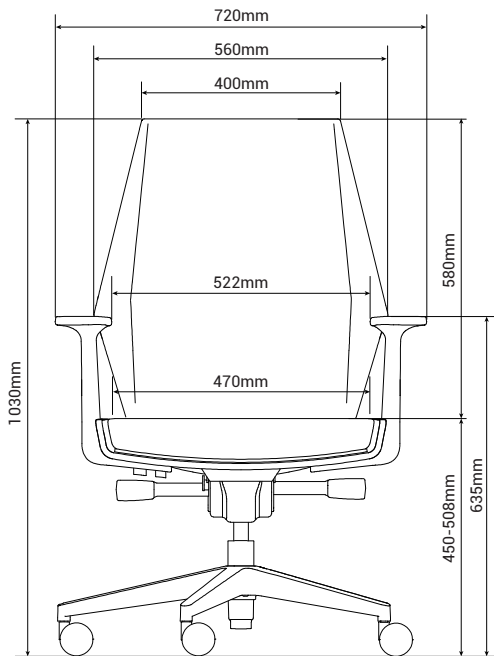
Remark: Seat height from floor, back height from seat and arm height from seat are measured when there is no load on the chair.



Chair Specification | Coupe II CCP63SR/CCP63SQ

Overall Depth	Overall Width	Overall Height	Seat Depth	Functional Seat Depth	Seat Width	Seat Height from Floor	Ring Height from Floor	Back Width (Max and Min)
640mm	720mm	1030mm	490mm	460mm	470mm	450-508mm	/	560/400mm

Back Height from Seat	Back Lumbar Height	Lumbar Adjustment Range	Width Between Arms	Arm to Floor	Arm Height from Seat	Seat Pan Angle	Back Recline Angle
580mm	195mm	/	522mm	635mm	185mm	0°	105°



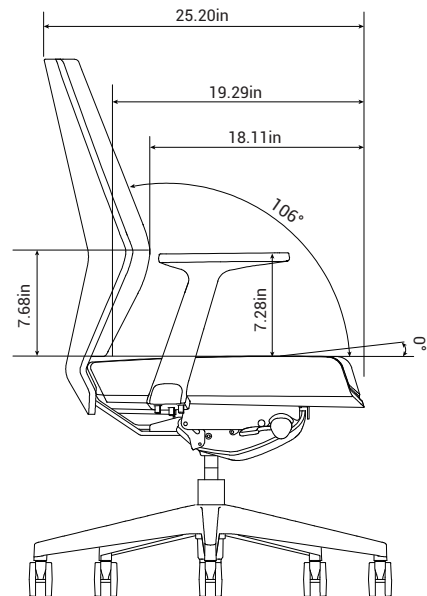
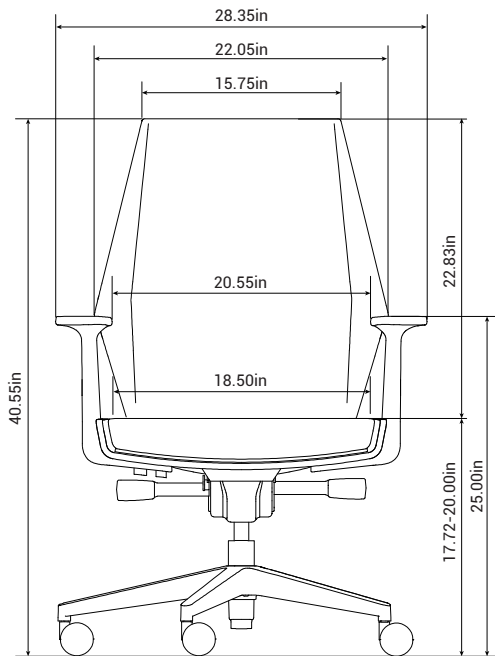
Remark: Seat height from floor, back height from seat and arm height from seat are measured when there is no load on the chair.



Chair Specification | Coupe II CCP63SR/CCP63SQ

Overall Depth	Overall Width	Overall Height	Seat Depth	Functional Seat Depth	Seat Width	Seat Height from Floor	Ring Height from Floor	Back Width (Max and Min)
25.20in	28.35in	40.55in	19.29in	18.11in	18.50in	17.71-20.00in	/	22.05/15.75in

Back Height from Seat	Back Lumbar Height	Lumbar Adjustment Range	Width Between Arms	Arm to Floor	Arm Height from Seat	Seat Pan Angle	Back Recline Angle
22.83in	7.68in	/	20.55in	25.00in	7.28in	0°	105°



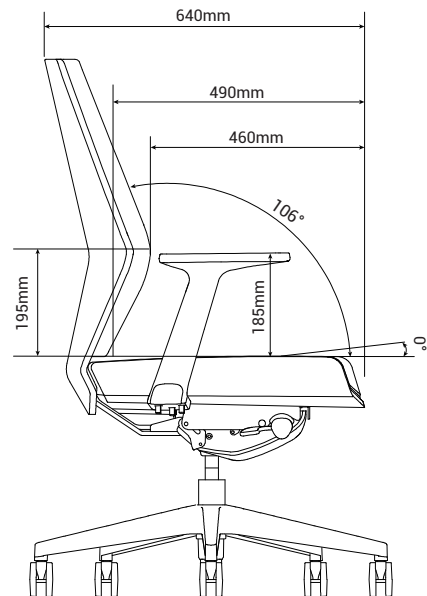
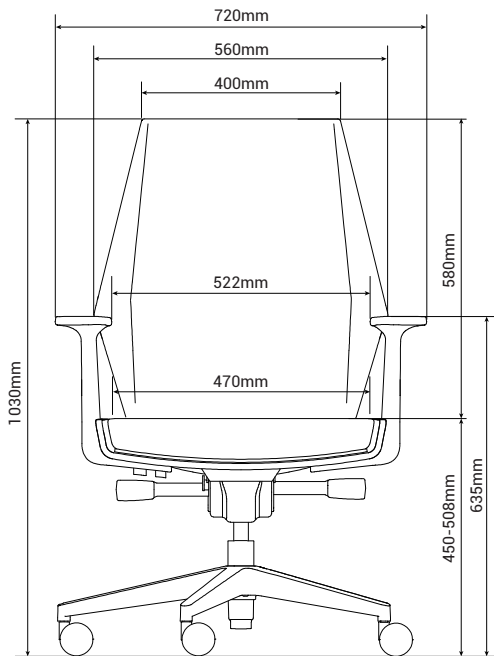
Remark: Seat height from floor, back height from seat and arm height from seat are measured when there is no load on the chair.



Chair Specification | Coupe II CCP63SR/CCP63SQ

Overall Depth	Overall Width	Overall Height	Seat Depth	Functional Seat Depth	Seat Width	Seat Height from Floor	Ring Height from Floor	Back Width (Max and Min)
640mm	720mm	1030mm	490mm	460mm	470mm	450-508mm	/	560/400mm

Back Height from Seat	Back Lumbar Height	Lumbar Adjustment Range	Width Between Arms	Arm to Floor	Arm Height from Seat	Seat Pan Angle	Back Recline Angle
580mm	195mm	/	522mm	635mm	185mm	0°	105°



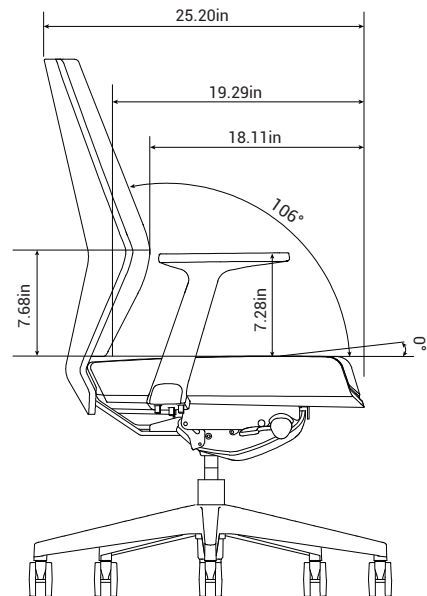
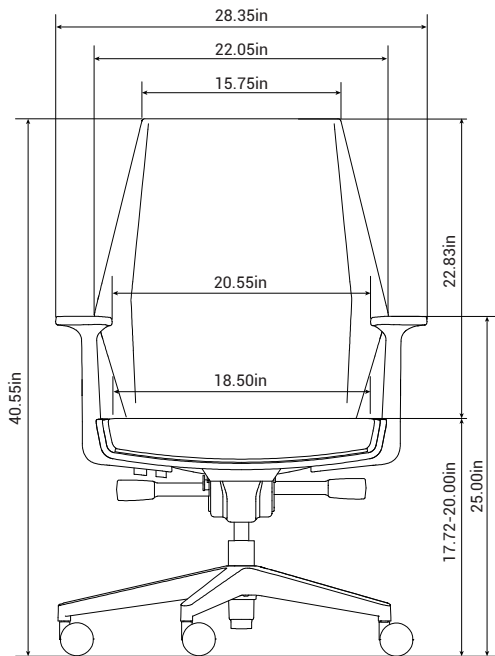
Remark: Seat height from floor, back height from seat and arm height from seat are measured when there is no load on the chair.



Chair Specification | Coupe II CCP63SR/CCP63SQ

Overall Depth	Overall Width	Overall Height	Seat Depth	Functional Seat Depth	Seat Width	Seat Height from Floor	Ring Height from Floor	Back Width (Max and Min)
25.20in	28.35in	40.55in	19.29in	18.11in	18.50in	17.71-20.00in	/	22.05/15.75in

Back Height from Seat	Back Lumbar Height	Lumbar Adjustment Range	Width Between Arms	Arm to Floor	Arm Height from Seat	Seat Pan Angle	Back Recline Angle
22.83in	7.68in	/	20.55in	25.00in	7.28in	0°	105°



Remark: Seat height from floor, back height from seat and arm height from seat are measured when there is no load on the chair.

